

**Parts list**

# **AMAZON**

**120 / 130 / 220**

---

Windshield- / rear window rubbers	1	<i>Dynamo</i>	21
Door seals/components	1-2	<i>Alternator</i>	21
Lock cylinders	3	<i>Wiring harnesses</i>	21
Guide channels	4-5	<i>Engine gaskets</i>	22
Interior	6-13	<i>Mechanical components</i>	23-24
<i>Viewing picture</i>	6	Fuel system	25
<i>Headliners</i>	7	Heater system	26
<i>Amazon B16 1958-60</i>	7-8	Gear box	27-28
<i>Amazon B16/B18 1960-64 4-doored</i>	8-9	Instrument / speedo cables	28
<i>Amazon B18 1965-67 4-doored</i>	9	Shaft	28
<i>Amazon estate, 220 1962-64</i>	10	Front suspension	29-31
<i>Amazon B18 1962-64 2-doored</i>	11	<i>Viewing picture</i>	29
<i>Amazon B18 1965-68 2-doored</i>	11	<i>Front suspension parts</i>	30-31
<i>Amazon B20 1969-70 2-doored</i>	11	Rear axle	31-33
Board panels	12	Steering box	33
Rubber mats / carpets	12	Gas- / chokelinkage	34
Estate cargo department	13	Wipers	35
Bonnet rubbers	13	Hub caps	35
Headlights	14	Windshields	35
Turn signals	14	Bumpers & chrome	36
Rear lights	14	Exhaust system	36
Relays	15	Sheet metal / Body	37-38
Horn signals	15	<i>Viewing picture</i>	37
Licence lights	15	<i>Metal parts PV/Duett</i>	38
Rear light gaskets	15	Mudflaps	39
Bulbs	16	Accessorioes	39
Engine	17-24	Litterature	39
<i>Cooling system</i>	17	Trim moulding	40
<i>Carbs</i>	18	Emblems	40
<i>Air filter</i>	19	Brake components	41-42
<i>Ignition / electric system</i>	19	Brake lining, copper	43
<i>Fuses</i>	20	Hydraulic clutch components	44
<i>Ignition coil / spark plugs</i>	20	Mounting kits	45
<i>Battery</i>	20	Decals	46
<i>Starter motor</i>	20		

Freight cost will be added

*R = Reproduced / New*

*RS = Reproduced / made in Sweden*

*N = NOS (New Old Stock)*

*Prices may have been changed since printing of this catalogue*

## AMAZON

Part no	Fig	WINDSHIELD AND REAR WINDOW RUBBERS AZ STD & ESTATE	UNIT	Retail Price
673318	RS	Windshield rubber, (With track for trim moulding) Chrome trim not included	each	114.11
660864	RS	Windshield rubber, cars without chrome trim	each	125.21
MSA21		Screw kit for upper moulding (windscreen) chromed	st	15.85
MSA21B		Screw kit for upper moulding (windscreen) Black	st	15.85
671764	RS	Windshield rubber, (With track for trim moulding) Chrome trim not included	each	130.60
660863	RS	Rear window seal, cars without chrome trim	each	142.64
672111/12	RS	Side window seal Amazon Favourite	pair	109.68
662687	RS	Rear side window seal Amazon estate 220	pair	129.96
671687	RS	Trunk/boot seal Amazon	each	91.92
292		Glue for B16 door and trunk/boot rubbers	each	31.70
<b>AZ ESTATE TAILGATE</b>				
672248	RS	Rubber around tailgate large 220	each	129.96
672247	RS	Seal upper lid outer in body P220 220	each	55.47
671866	RS	Seal bottom upper lid and sides lower lid P220 220	each	58.64
667048	RS	Seal lower lid 220	each	28.53
662645		Metal moulding for door rubber seal 220 <b>2X420</b>	meter	15.85
670449		Gas-operated servo for tailgate 220 <b>#17650-</b>	each	206.04
668916/17	R	Rubber gasket for upper hinge 220 LH/RH	each	17.43
668918	R	Rubber gasket for upper hinge 220 2/car	each	14.26
670988	RS	Rear window seal 220, cars with chrome trim 220	each	110.94
662655	RS	Rear window seal 220, cars without chrome trim 220	each	88.75
<b>DOOR SEALS AND DOOR COMPONENTS</b>				
672154/55	RS	Door seal Az 2 door (also for 4 door and 220 front doors) 2D LH/RH	pair	145.81
672148/49	RS	Door seal AZ 220 rear doors 220 LH/RH	each	89.71
662706	RS	Door seal Az 4 door B16 (to be glued) 4D ca 15m/car	meter	12.68
673457/58	RS	Front vent window seal for Az LH/RH	each	106.19
654562	R	2/bil	each	19.65
191644	RS	Rivet vent.window - frame 4+4/car	each	1.35
17455	RS	Rivet vent.window hinge 2/car	each	4.75
120151	RS	Washer for rivet (stainless) 2/car	each	0.95
672481		Lock button black ch 225050- 2/car	each	6.34
672480	N	Catch ch 225050- 2/car	each	7.92
662689	RS	Side vent window seal rear door 220 model 220	each	63.40
661810		Rear vent window seal 4D / 220 LH/RH	each	150.57
690587	RS	Black fabric door windlace (including plastic seal) 2D 2/car	each	77.66
690588	RS	Black fabric door windlace (including plastic seal) 4D 2/car	each	95.09
690589	RS	Black fabric door windlace (including plastic seal) 220 2/car	each	98.26
690588G	RS	Grey fabric door windlace (including plastic seal) 4D 2/car	each	95.09
92509	RS	Seal at door pillar 4 door and combi 4D/220 4/car	each	19.34
13319	RS	Rubber seal inner vent window 5 cm (2")	pair	0.95

653726		Elevator channel front door		2/car	each	101.43
653742		Elevator channel rear door		2/car	each	101.43
320551		Filler strip for elevator channel front and rear doors			pair	19.02
82429		Rubber stop for 653726	early model	2/car	each	4.12
656577		Rubber stop for 653726	later model	2/car	each	3.17
92590		Cap for elevator chain		2/car	each	7.29
950020/955946		Screw & washer for 95290		2+2/car	each	
658520	N	Pulley front door lower	B16	4D	each	23.77
653739/41	N	Pulley rear door	upper/lower	2/car	each	23.77
654015/16	N	Doorlock	rear door	LH/RH	each	79.25
192458		Mounting clips upper door trim	-1969	26/car	each	2.06
659654	RS	Rivet for clip 192458	-1969	26/car	each	0.48
679885	RS	Mounting clips upper door trim	1969-70	26/car	each	0.79
659996		Mounting clips upper door trim	4 doors	12/car	each	6.34
<b>Door hinge front door</b>						
653787		Door hinge, door half	front door	4/car	each	55.79
671732		Door hinge, body half	front door	4/car	each	57.69
671730		Door hinge pin	front door	4/car	each	20.60
950158		Screw door hinge to door	front door	8/car	each	2.22
955524		Screw door hinge to body	front door	8/car	each	0.95
18895		Washer for 950158	front door	8+12/car	each	1.58
955949		Lock washer for 955524	front door	16/car	each	0.32
661640		Dorrstop	front door	2/car	each	30.11
950045		Screw for door stop	front door	8/car	each	0.95
192287-940155		Washer & lock washer for screw 950045	front door	8+8/car	each	
654056	N	Door stop/spring early mod with one hole	front door	2/car	each	30.11
955523		Screw for 654056	front door	4/car	each	0.95
955921		Washer for screw 955523	front door	4/car	each	0.24
<b>Door hinge rear door</b>						
653792/93	N	Door hinge, door half	rear door	LH/RH	each	55.47
653794	N	Door hinge, body half	rear door	4/car	each	55.47
653795		Door hinge pin	rear door	4/car	each	9.83
950158		Screw door hinge to body	rear door	12/car	each	2.22
18895		Washer for 950158	rear door	8+12/car	each	1.58
654057	N	Door stop/spring early mod with one hole	rear door	2/car	each	30.11
662036	N	Door stop/spring later mod with two hole	rear door	2/car	each	30.11
955523		Screw for 654057 & 662036	rear door	4/car	each	0.95
955921		Washer for screw 955523	rear door	4/car	each	0.24
661640		Dorr stop	rear door	2/car	each	30.11
950045		Screw for door stop	rear door	8/car	each	0.95
192287-940155		Washer & lock washer for screw 950045	rear door	8+8/car	each	

### LOCKS AND OTHER DOOR COMPONENTS

655800		Lock cylinder left hand side with 2 keys		Left	each	72.91
655802		Lock cylinder right hand side with 2 keys		Right	each	72.91
666229		Lock cylinder trunk	120/130		each	68.15
669366S		Lock cylinder trunk incl.gasket & coil	220		each	84.32
663804		Lock set left, right and trunk	120/130		set	172.75
669367S		Lock set left, right and trunk incl.gasket & coil	220		set	199.06
662271		Striker plate trunk on upper hatch	220		each	118.87
662285		Striker plate trunk on lower hatch	220		each	77.98
662720	<b>RS</b>	Lock pin for doorhandle	220	1/car	each	8.88
673261		Ignition lock with 2 keys "Neiman"	Neiman		each	129.01
673339		Key blank for ignition	Neiman		each	12.05
660140		Key blank for ignition	ASSA	"VOLVO"	each	44.06
660140-1	<b>RS</b>	Key blank for ignition	ASSA		each	11.73
680196		Key blank for ignition	Neiman	B20	each	16.80
671319		Key blank	FS	round head	each	8.88
660137		Key blank	FP		each	18.38
660138		Key blank	FR		each	18.38
662721	<b>RS</b>	Gasket locksleeve rear hatch	220	1/car	each	4.75
663749	<b>RS</b>	Gasket upper tailgate handle 220	AZ 220	2/car	each	3.17
660147S	<b>RS</b>	Gasket kit door handle - ch # 304969	B16/B18	1 kit / car	set	15.85
673682S	<b>RS</b>	Gasket kit door handle ch # 304970- (69-70)	B18/B20	1 kit / car	set	15.85
654169		Black plastic washer at door handle and crank (early)	Fr/rear	4/car	each	7.92
670664		Black plastic washer at door handle and crank (late)	Fr/rear	4/car	each	5.39
654168		Omega clip inner door/window crank	2 & 4D	2/car	each	0.95
659949		Spring for inner door/window crank		4/car	each	9.83
		Special tool for removal inner handle clip			each	
658383		Door switch			each	34.23
<b>276613</b>		<b>Rear view mirror (mounted from outside)</b>	<b>72-73</b>	<b>2/car</b>	<b>each</b>	<b>161.66</b>
<b>276614</b>		<b>Rear view mirror (mounted from inside)</b>	<b>68-71</b>	<b>2/car</b>	<b>each</b>	<b>153.74</b>

<b>Glass run channels up to early 1969 models</b>					
655182	R	Upper channel with chromed edge	S	2/car	pair 47.55
654029	R	Rear channel with chromed edge	S	2/car	pair 28.53
653998	R	Front channel	S	2/car	pair 47.55
663610F	R	Rear lower channel	S	2/car	pair 23.46
655195	R	Inner window scraper list with chromed edge	S	2/car	pair 36.77
670810	RS	Outer window rubber scraper strip	S	2/car	pair 34.87
<b>500</b>	<b>R</b>	<b>Complete set of glass run channels -1969</b>		<b>1set/car</b>	<b>set 183.22</b>
<b>GUIDE CHANNELS DOOR WINDOWS 69-70</b>					
673848	R	Upper & rear channel without chrome	S	2/car	pair 41.84
673851	R	Front channel	S	2/car	pair 29.16
655195	R	Inner window scraper list with chromed edge	S	2/car	pair 36.77
663610F	R	Rear lower channel	S	2/car	pair 23.46
670810	RS	Outer window rubber scraper strip	S	2/car	pair 34.87
<b>501</b>	<b>R</b>	<b>Complete set of glass run channels 1969-70</b>		<b>1set/car</b>	<b>set 142.64</b>
663610/11	RS	Metal rail for guide channel 2-door	2D	LH/RH	each 50.72
<b>DOOR WINDOW GUIDE CHANNEL 4D&amp;220</b>					
<b>FRONT DOOR</b>					
653997	R	Upper channel with chromed edge	S	2/car	pair 38.04
654029	R	Rear channel with chrome	S	2/car	pair 28.53
653998	R	Front channel	S	2/car	pair 47.55
663610F	RS	Rear lower channel	S	2/car	pair 23.46
653996	R	Inner window scraper list with chrome	S	2/car	pair 36.77
<b>502</b>	<b>R</b>	<b>Complete set of glass run channels front 4d/220</b>		<b>1set/car</b>	<b>set 142.01</b>
653999	N	Clamp for guide channels front & rear	10+14/car		each 2.22
653766/67	RS	Metal rail for guide channel front door	4D & 220	LH/RH	each 50.72
654566/67	RS	Metal rail for guide channel rear door	4D & 220	LH/RH	each 50.72
657994	RS	Outer window rubber scraper strip	4D & 220	4/car	set 55.79
<b>REAR DOOR</b>					
653997	R	Upper channel with chrome	S	2/car	pair 38.04
653896	R	Front channel with chrome	S	2/car	pair 57.06
654565	R	Rear channel without chrome	S	2/car	pair 26.63
653996	R	Inner window scraper list with chrome	S	2/car	pair 36.77
663610F	RS	Rear lower channel	S	2/car	pair 23.46
<b>503</b>	<b>R</b>	<b>Complete set of glass run channels rear 4d/220</b>		<b>1set/car</b>	<b>set 147.08</b>
<b>504</b>	<b>R</b>	<b>Complete set of glass run channels front &amp; rear door</b>		<b>1set/car</b>	<b>set 285.60</b>

**COMPLETE SETS OF DOOR RUBBERS & GUIDE CHANNELS**

		<b>Set with rubber &amp; guide channel seal for AZ 2d - 1969</b>	<b>2D</b>			
505	R	Including black fabric trim for two doors		1set/car	set	408.91
505-1	R	Excluding fabric trim for two doors		1set/car	set	316.03
		<b>Set with rubber &amp; guide channel seal for AZ 2d 1969-</b>	<b>2D</b>			
506	R	Including black fabric trim for two doors		1set/car	set	364.53
506-1	R	Excluding fabric trim for two doors		1set/car	set	272.60
		<b>505/505-1, 506/506-1 consists of:</b>				
		672154/55 Door rubber		1 pair		
		500/501 Complete set of glass run channels		1 set		
		13319 Rubber seal		1 pair		
		690587 Black fabric door windlace 2d		1 pair		
		125 Door reflex		1 pair		
		<i>Please state model year when ordering</i>				
		<b>Set with rubber &amp; guide channel seal for AZ 4d &amp; 220</b>				
507/507-2	R	Including black fabric trim for all doors		1set/car	set	695.77
507-1/507-3	R	Excluding fabric trim for all doors		1set/car	set	618.75
		<b>507/507-1 consists of:</b>				
672154 / 55		Door rubber front and rear 4d, or:	4d & 220	1 or 2pair		
672148 / 49		Door rubber rear	220	1 pair		
504		Complete set of glass run channels		1 set		
13319		Rubber inside ventilation glass		1 set		
690588 / 89		Black fabric door windlace		1 pair		
125		Door reflex		4 pc		
657994		Outer window rubber scraper strip		1 set		
92509		Seal at door pillar 4 door and combi		4 pc		
		<i>Please state model and year when ordering</i>				
		<b>Luggage compartment</b>				
667812		Rubber botton for tunk	2/car		each	3.80
656656		Hinge	2/car	B18	each	95.09
		Screws and washer in stock please ask				
659315/16	RS	Straps for jack			pair	14.58
654691/92	RS	Strap set for spareweel	Short/long	-1968	set	31.70
660677	R	Trunk rubber mat 120/130	Rubber	1957-70	each	513.51
660677T	RS	Trunk carpet 120/130	Textile	1957-70	each	133.13

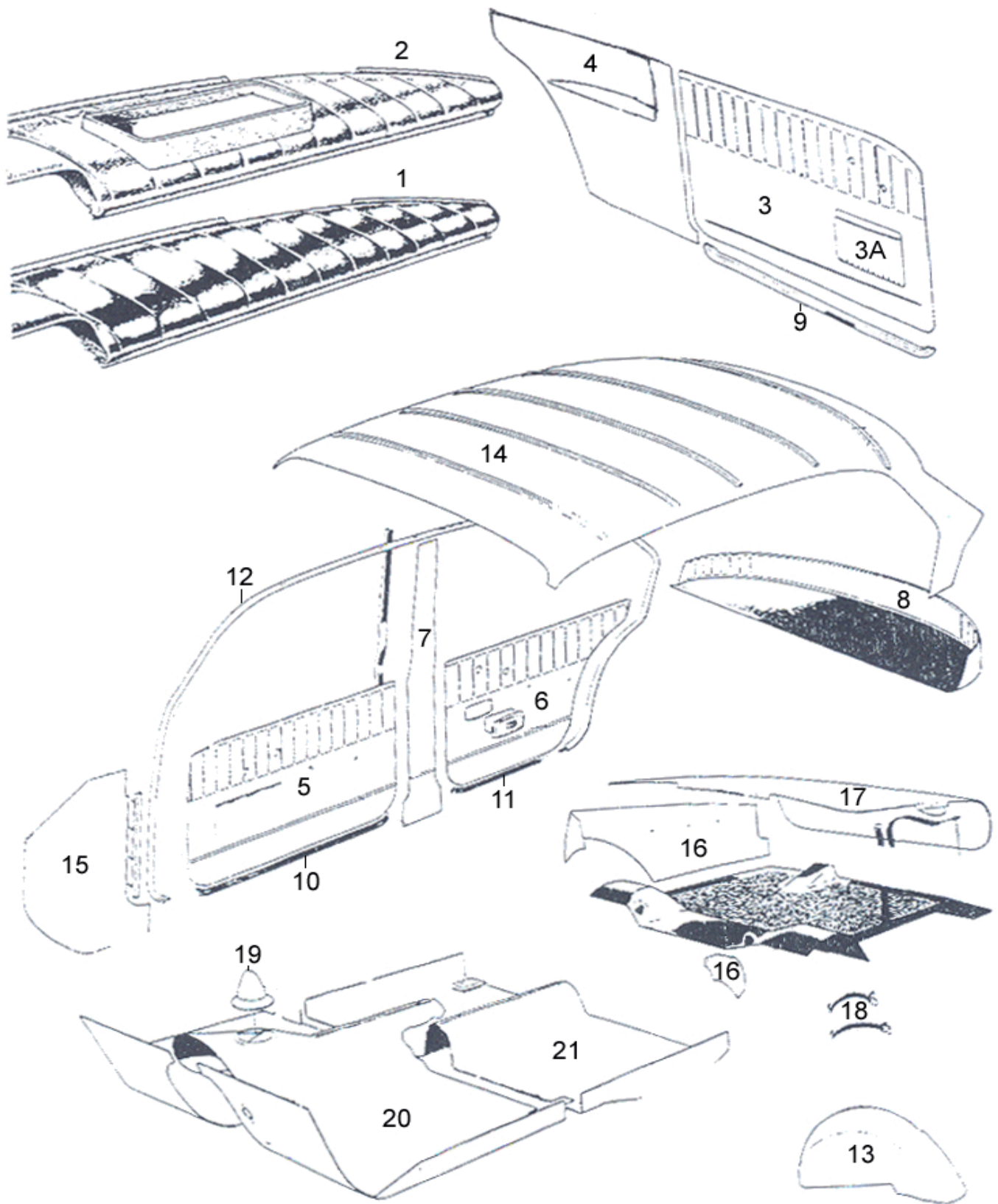


Fig 1: Amazon interior



## INTERIOR PARTS

Correct reproductions of the original.

All materials special ordered. Correct appearance in colour, grain and printing. Panels and seats are heat embossed as original, chrome trims welded in to panels. All door panels are ready to install.

All upholstery, headliners, carpets and panels are made by VP Autoparts AB in Fristad, Sweden

		<b>1:14 Headliners</b>			
98391	<b>RS</b>	Grey felt fabric (with plastic seal)	2&4d	each	374.04
98391-1	<b>RS</b>	Grey felt fabric (without plastic seal)	2&4d	each	523.02
98569	<b>RS</b>	Textured fabric	2&4d	each	524.60
98747	<b>RS</b>	Perforated vinyl	2&4d	each	315.40
690639	<b>RS</b>	Perforated vinyl	220	each	332.83
MS30		Screw kit for sunviser bracket		chromed each	3.49
61544		Washer for sunviser	2/car	each	1.58
907824		Split pin for sunviser	2/car	each	0.40
<b>667878</b>	<b>RS</b>	<b>1:8 Panel under rear window, paper board</b>		<b>57-64+69-</b> each	129.96
<b>691615</b>	<b>RS</b>	<b>1:8 Panel under rear window (embossed vinyl)</b>	<b>White</b>	<b>1965-68</b> each	133.13
<b>691615S</b>	<b>RS</b>	<b>1:8 Panel under rear window (embossed vinyl)</b>	<b>Black</b>	<b>1965-68</b> each	133.13
<b>691616</b>	<b>RS</b>	<b>1:8 Carpet under rear window</b>		<b>1965-68</b> each	95.09

### AMAZON B16 1957-58

These interiors comes with welded prints on panels and seat covers.

The original "V" in the upper part of the rear seat is not forgotten...

### FOLLOWING PARTS AVAILABLE

	<b>RS</b>	1:5 Door panels with masonite/textile/vinyl	Front doors	pair	443.77
	<b>RS</b>	1:6 Door panels with masonite/textile/vinyl	Rear doors	pair	443.77
	<b>RS</b>	Upholstery front chairs (upper/lower)		pair	1008.95
	<b>RS</b>	Upholstery rear seat (upper/lower)		pair	588.32
	<b>RS</b>	1:13 Upholstery wheel arch		pair	127.43
	<b>RS</b>	1:7 B-pillar panel		pair	86.85
7-107	<b>RS</b>			1957-58	
8-108	<b>RS</b>			1957-58	
9-109	<b>RS</b>	References needed !!		1957-58	

**AMAZON B16 1959-60 4-door**  
**FOLLOWING PARTS AVAILABLE**

	<b>RS</b>	1:5	Door panels with masonite/textile/vinyl	Front doors	pair	443.77
	<b>RS</b>	1:6	Door panels with masonite/textile/vinyl	Rear doors	pair	443.77
	<b>RS</b>		Upholstery front chairs (upper/lower)		pair	979.47
	<b>RS</b>		Upholstery rear seat (upper/lower)		pair	588.32
	<b>RS</b>	1:13	Upholstery wheel arch		pair	88.75
98108	<b>RS</b>	1:7	B-pillar panel		pair	86.85
655261	<b>R</b>		Chrome strip door panel front door		each	71.32
655262	<b>R</b>		Chrome strip door panel rear door		each	62.45

**INTERIORS/CODES AVAILABLE**

12-110			
13-111	*		
14-112		Light grey textile, beige vinyl	
15-113			
16-116	*		
17-115	*		
18-114		Turquoise textile, beige vinyl	
117-20			
118-19	*		

**AMAZON B16/B18 1960-61 4-door**  
**FOLLOWING INTERIOR PARTS AVAILABLE**

<b>RS</b>	1:5	Door panels with masonite/textile/vinyl	Front doors	pair	443.77
<b>RS</b>	1:6	Door panels with masonite/textile/vinyl	Rear doors	pair	356.60
<b>RS</b>		Upholstery front chairs (upper/lower)		pair	882.48
<b>RS</b>		Upholstery rear seat (upper/lower)		pair	519.85
<b>RS</b>	1:7	Upholstery wheel arch		pair	32.97
		B-pillar panel			

**INTERIORS/CODES AVAILABLE**

119-160		
120-161		
121-162		
122-163		
123-164		Blue textile, blue vinyl
124-165		
125-183		
129-178		
130-179		
131-180		

### AMAZON B16/B18 1962-64 4-door

#### FOLLOWING INTERIOR PARTS AVAILABLE

1:5	Door panels with embossing/masonite/chrome trim	Front	pair	443.77
1:6	Door panels with embossing/masonite/chrome trim	Rear	pair	356.29
	Upholstery front chairs (2 seats+2 backs)		pair	882.48
	Upholstery rear seat (seat + back)		pair	519.85
1:7	Upholstery B-pillar		pair	186.38
	Upholstery front chairs (2 seats+2 backs)		pair	949.36
	Upholstery rear seat (seat + back)		pair	919.25
1:7	Upholstery B-pillar		pair	32.97

#### INTERIORS/CODES AVAILABLE

135-200	PIP	Nougat vinyl, beige textile	1962-63
137-202	PIP	Light blue vinyl, blue textile	1962-63
138-203		Nougat vinyl, beige textile	1962-63
139-204		Light blue vinyl, blue textile	1962-63
140-205	PIP	Nougat vinyl, beige textile	1962-63
142-207	PIP	Light blue vinyl, blue textile	1962-63
147-224	PIP	Grey vinyl, grey textile	1962-63
148-225	PIP	Red vinyl, red textile	1962-63
149-226		Light grey vinyl, grey textile	1962-63
150-227		Red vinyl, red textile	1962-63
151-228	PIP	Grey vinyl, grey textile	1962-63
152-229	PIP	Red vinyl, red textile	1962-63
155-248	PIP	Grey vinyl, grey textile	1963-64
156-249	PIP	Red vinyl, red textile	1963-64
158-250		Grey vinyl, grey textile	1963-64
159-251		Red vinyl, red textile	1963-64
161-252	PIP	Grey vinyl, grey textile	1963-64
162-253	PIP	Red vinyl, red textile	1963-64
		USA-versions (all vinyl) special order	

### AMAZON B18 1965-67 4-door

#### FOLLOWING INTERIOR PARTS AVAILABLE

1:5	Door panels with embossing/masonite/chrome trim	Front	pair	443.77
1:6	Door panels with embossing/masonite/chrome trim	Rear	pair	356.29
	Upholstery front chairs (2 seats+2 backs)		pair	1294.55
	Upholstery rear seat (seat + back)		pair	761.39
1:7	Upholstery B-pillar		pair	186.38
	Headrest covers		pair	134.40

#### INTERIORS/CODES AVAILABLE

167-502,171-506	Dark red vinyl	1965-66
175-523,179-527	Dark red vinyl	1965-67
168-503,172-507	Black vinyl	1965-67
170-505	Light blue	1965
178-525,185-547	Green vinyl	1966-67
183-545	Purple vinyl	1967-68

**AMAZON Estate, 220, 1962-64****FOLLOWING INTERIOR PARTS AVAILABLE**

1:5	Door panels with embossing/masonite/chrome trim	Front	pair	443.77
1:6	Door panels with embossing/masonite/chrome trim	Rear	pair	356.29
	Upholstery front seat (upper/lower)		pair	882.48
	Upholstery rear seat (upper/lower)		pair	519.85
1:7	B-pillar panel		pair	186.38
			pair	252.32
			pair	252.32

**INTERIORS/CODES AVAILABLE**

502-231	PIP	Grey vinyl	1962-63
503-232	PIP	Red vinyl	
504-215		Nougat vinyl, beige textile	1962-63
507-254	PIP	Grey vinyl	1964
508-255	PIP	Red vinyl	1964

**AMAZON Estate, 220, 1965-69****FOLLOWING INTERIOR PARTS AVAILABLE**

1:5	Door panels with embossing/masonite/chrome trim	Front	pair	443.77
1:6	Door panels with embossing/masonite/chrome trim	Rear	pair	356.29
	Upholstery front chairs (2 seats+2 backs)		pair	1294.55
	Upholstery rear seat (seat + back)		pair	761.39
1:7	Upholstery B-pillar		pair	186.38
	Headrest covers		pair	134.40

**INTERIORS/CODES AVAILABLE**

510-518,514-536		Dark red vinyl	1965-66
511-519		Black vinyl	1965-67
513-521		Light blue	1965
517-539,520-556		Green vinyl	1966-67
518-544		Purple vinyl	1967-68
519-555		Brown/tan	1967-68
515-537		Blue vinyl	1968
522-598		Beige vinyl	1969
523-599		Blue vinyl	1969
524-600		Red vinyl	1969

### AMAZON B18 1962-64 2-door

#### FOLLOWING INTERIOR PARTS AVAILABLE

1:3	Door panels with embossing/masonite/chrome trim	pair	443.77
1:4	Rear side panel upholstery (to recover old panel)	pair	132.50
	Upholstery front seat (upper/lower)	pair	882.48
	Upholstery rear seat (upper/lower)	pair	519.85
	Upholstery front chairs (2 seats+2 backs)	pair	949.36
	Upholstery rear seat (seat + back)	pair	919.25

#### INTERIORS/CODES AVAILABLE

401-189	PIP	Nougat vinyl	1962-63
403-191	PIP	Light blue vinyl	1962-63
404-192		Nougat vinyl, beige textile	1962-63
405-193		Light blue vinyl, blue textile	1962-63
406-233	PIP	Light grey vinyl	1962-63
407-234	PIP	Red vinyl, red textile	1962-63
408-235		Light grey vinyl, grey textile	1962-63
409-236		Red vinyl, red textile	1962-63
410-244	PIP	Light grey vinyl	1963-64
411-245	PIP	Red vinyl	1963-64
413-246		Grey vinyl, grey textile	1963-64
414-247		Red vinyl, red textile	1963-64
		USA-versions (all vinyl) special order	

### AMAZON B18 1965-68 2-door

#### FOLLOWING INTERIOR PARTS AVAILABLE

1:3	Door panels with embossing/masonite/chrome trim	2-door	pair	443.77
1:4	Rear side panel upholstery (to recover old panel)		pair	132.50
	Upholstery front seat (upper/lower)		pair	1294.55
	Upholstery rear seat (upper/lower)		pair	761.39
	Headrest upholstery		pair	134.40

#### INTERIOR CODES AVAILABLE

416-514	Dark red	1965-66
417-515	Black	1965-68
419-517	Light blue	1965
420-532	Dark red	
424-551	Wine red	1967-68
425-552	Brown/tan	1967-68
426-553	Green	1967
427-575	Blue - vinyl replaced by 1969 blue	1968
428-584	Black	
429-585	Wine red	

### AMAZON B20 1969-70 2-door


#### FOLLOWING INTERIOR PARTS AVAILABLE

1:3	Door panels with embossing/masonite/chrome trim	2-door	pair	443.77
1:4	Rear side panel upholstery (to recover old panel)		pair	132.50
	Upholstery front seat (upper/lower)		pair	1294.55
	Upholstery rear seat (upper/lower)		pair	578.81
	Headrest upholstery		pair	134.40

#### INTERIOR CODES AVAILABLE

417-	Black	1969-70
430-595	Beige	1969
431-596	Blue	1969
432-597	Red	1969
434-636	Red	1970
435-637	Blue	1970

691612	<b>R</b>	Seat foam front seat lower		1965-68	each	206.04
691425	<b>R</b>	Seat foam front seat upper		1965-68	each	175.92
667514/15	<b>RS</b>	1:9 Rubber seal bottom of door panel (paper board included)		Left/Right	each	42.79
692002M	<b>RS</b>	Board for doorpanels			each	41.21
667690/91	<b>RS</b>	Rubber seal bottom of door panel	4D	Front/rear	each	41.21
692001M	<b>RS</b>	Masonite door panel	4D	Front/Rear	each	41.21
95290		<b>Door panel anchorage</b>			each	3.49
320448		Rubber seal bottom anchorage		16/car	each	1.58
950054		Screw for seat		4/car	each	3.80
1794		Screw for rear sidepanel			each	0.63
		<b>Board panels</b>				
659507/08	<b>RS</b>	Cardboard kick panel	Grey	-1964	pair	47.55
671064/63	<b>RS</b>	Cardboard kick panel	Black	1965-	pair	47.55
MSA1	<b>RS</b>	Mounting kit kick panels	1/car		pair	0.32
654542/43	<b>RS</b>	Kick panel retainer			each	34.87
671067/68	<b>RS</b>	1:16 Trunk side board panels	Grey/black		pair	52.30
671067-1 / 68-1	<b>RS</b>	Trunk panel "Reversed"	Grey/black		each	52.30
660442	<b>RS</b>	1:17 Board in trunk lid	Grey	-1964	each	58.64
671066	<b>RS</b>	1:17 Board in trunk lid	Black	1965-	each	58.64
		<b>RUBBER MATS</b>				
670698R	<b>R</b>	1:20 Front rubber mat	Black	1965-	each	696.09
670699	<b>R</b>	1:21 Rear coupe rubber mat	Black	1965-	each	421.58
660677	<b>R</b>	1:22 Trunk rubber mat	Black	1957-70	each	513.51
<b>508</b>	<b>R</b>	<b>Set of rubber mats (670698R/670699/660677)</b>	<b>Black</b>		<b>set</b>	<b>1442.90</b>
<b>277216/15</b>	<b>RS</b>	<b>Original accessory mats ( In rubber)</b>	<b>Set of 4</b>	<b>Black/Grey</b>	<b>set</b>	<b>238.37</b>
670867	<b>R</b>	1:20 Front rubber mat	Grey	1962-64	each	486.88
670868	<b>R</b>	1:21 Rear coupe rubber mat	Grey	1962-64	each	467.86
670698		1:20 Front rubber mat with jute felt		1965-	each	801.96
670698F	<b>RS</b>	Jute felt kit for front rubber mat (670698R)	Cut & fitted		set	68.15
670699F	<b>RS</b>	Jute felt kit for front rubber mat (670699)	Cut & fitted		set	39.62
		<b>FIRE WALL CARPET</b>				
659697	<b>RS</b>	Fire wall carpet	Grey	-1964	each	152.15
691581	<b>RS</b>	Fire wall carpet	Black	1965-	each	152.15
657905	<b>R</b>	Rubber button for firewall carpet 659697	7/car	Grey (-1964)	each	4.75
671261		Rubber button for firewall carpet 691581	7/car	Black (1965-)	each	4.75
<b>671261AZ</b>		<b>Rubber button for cowl felt in front</b>	<b>Set of 7</b>	<b>Black (1965-)</b>	<b>set</b>	<b>24.09</b>
		<b>TEXTILE MATS/CARPETS</b>				
		<b>Includes front &amp; rear floor sections, heel pad and hand brake boot</b>				
277220/23/27	<b>RS</b>	Black / grey / blue / light tan & red	Standard		set	651.40
277215T/16T	<b>RS</b>	Accessory carpet set, heelpad w.Amazon logo	Set of 4	Black/Grey	set	155.32

		<b>220/Estate cargo compartment</b>		<b>1965-</b>				
691597	<b>RS</b>	Mat rear lower door		Grey	220	each	64.98	
691589/90	<b>RS</b>	Rear sidepanel cargo area		Grey	220	each	123.62	
692932/33	<b>RS</b>	Wheel arch mat/upholstery, rear (state colour)		pet / interior viny	220	each	75.12	
691609	<b>RS</b>	Textile cargo mat, accessory protection.		Grey	220	each	166.42	
<b>691597S</b>	<b>RS</b>	<b>Cargo area kit 220 (4 items above included, please state interior code)</b>				<b>set</b>	<b>546.79</b>	
691650/51	<b>RS</b>	Insulation mat under rear seat		Grey/Black	62-64/65-69	each	125.21	
<b>666001</b>	<b>RS</b>	1:1 <b>Dashboard padding Az standard</b>				<b>AZ std</b>	each	630.79
<b>672577</b>	<b>RS</b>	1:2 <b>Dashboard padding Az 123 GT</b>				<b>123GT</b>	each	654.57
<b>32141010</b>		<b>Glue for dashboard installation</b>					<b>each</b>	<b>29.48</b>
654299	<b>R</b>	Chrome moulding for dashboard			1/car		each	114.43
663973	<b>R</b>	Anchorage for chrom moulding			6/car		each	1.58
001	<b>RS</b>	Sound deadning board (self adhesive)			1x1	meter	1 m2	41.21
002	<b>R</b>	Jute felt for floor mats, burlap			85cm	widthper meter		11.73
004	<b>R</b>	Insulating jute felt 10mm thick			100	widthper meter		23.77
004-1	<b>R</b>	Insulating jute felt 7mm thick			100	widthper meter		22.51
671118	<b>RS</b>	Elastic band front and rear seat			3,22 m	per chair per meter		16.48
671226	<b>RS</b>	Hook for elastic strap				each		1.74
671227	<b>RS</b>	Clamp for elastic band-hook			2/chair	each		1.74
659493	<b>RS</b>	Grey gear shift rubber boot			ch-54399	Grey	each	75.44
659701	<b>RS</b>	Grey gear shift boot			ch 54400-	Grey	each	75.44
670875	<b>RS</b>	Black gear shift boot			1965-	Black	each	75.44
669582	<b>RS</b>	Grey hand brake boot			-1964	Grey	each	45.96
670876	<b>RS</b>	Black hand brake boot			1965-	Black	each	45.96
		<b>HOOD/BONNET RUBBER PARTS</b>						
657986	<b>RS</b>	Front hood seal			1957-65		each	32.02
671629	<b>RS</b>	Front hood seal			1966-70		each	32.02
663270	<b>RS</b>	Rear hood seal			1957-65		each	32.02
92510	<b>RS</b>	Rear hood seal			1966-70		each	32.02
40136	<b>RS</b>	Rubber gromet hood opening wire front				1/car	each	3.80
654507		Rubber gromet hood opening wire fire wall rear			B16	1/car	each	7.61
680011	<b>R</b>	Rubber gromet hood opening wire fire wall rear			B18	1/car	each	4.12
<b>657180</b>	<b>RS</b>	<b>Hood opener (includes wire and pull mechanism)</b>			<b>1957-70</b>	<b>1/car</b>	<b>each</b>	<b>52.30</b>
18335		Clamp for 657180				1/car	each	7.29
950020		Screw for clamp 18335				1/car	each	0.63
655545	<b>RS</b>	Rubber button hood				2/car	each	4.75
656577	<b>RS</b>	Rubber button front fender/hood				6/car	each	3.17
<b>656578</b>	<b>RS</b>	<b>Rubber button set</b>				<b>8/set</b>	<b>set</b>	<b>24.41</b>
657796	<b>N</b>	Bonnet catch, upper section			ite B16's and B18	1/car	each	47.55
657797	<b>N</b>	Catch upper section			ite B16's and B18	1/car	each	19.02
657798	<b>N</b>	Spring between 657796 & 657797			ite B16's and B18	1/car	each	3.17
657974	<b>N</b>	Guide pin uppersection			ite B16's and B18	1/car	each	22.19
657975	<b>N</b>	Fitting sleeve upper section			ite B16's and B18	1/car	each	11.09
657793	<b>N</b>	Spring lower section			ite B16's and B18	1/car	each	3.17

## LIGHTS

273547		Lamp housing (bucket) complete with mounting details			each	117.92
273547-1	<b>R</b>	Lamp housing (bucket) as above plastic			each	72.27
671739	<b>RS</b>	Outer chrome rim for headlight (stainless)			each	117.28
671260		Headlight retainer (stainless)			each	66.57
83590		Headlight inner bucket			each	135.67
88052		Headlight rubber seal			each	8.88
115895	<b>R</b>	Headlight rim screw	2/car		each	6.66
87690		Headlight adjusting screw	4/car		each	5.07
83591		Headlight adjusting spring	8/car		each	4.75
MSA16		Mounting kit for lamphosing/fender	1/car		each	5.07
MS27		Mounting kit for retainer headlight to inner bucket	1/car		each	1.90
1212963		Headlight reflector & glass "Volvo" H4			each	93.51
238775		Headlight reflector & glass, asymmetric w/o park			each	142.64
238775-1	<b>R</b>	Headlight reflector & glass, asymmetric w/o park			each	64.98
661352/53	<b>RS</b>	Harness headlamp	B16	ca.ch:21000-	each	45.96
671157/373	<b>RS</b>	Harness headlamp	12V	LH/RH	each	45.96
89047		Cable grommet bucket			each	9.19
662109		Interior light (complete with fram / lens / button)			each	92.88
<b>Turn signals</b>						
673238/39	<b>R</b>	Lens amber/amber	US version	LH/RH	each	100.48
668911/12	<b>R</b>	Lens amber/white	Amber/white	LH/RH	each	100.48
668911V/12V	<b>R</b>	Lens white/white		LH/RH	each	100.48
666773/74	<b>R</b>	Reflector		LH/RH	each	107.46
654772	<b>R</b>	Rubber casing turn signal	<b>B16</b>	2/car	each	12.68
666775/76		Rubber casing turn signal	<b>B18</b>	LH/RH	each	33.60
661345/47	<b>RS</b>	Harness turn signals	<b>B16</b>	ch:21000-	each	45.96
662123/24	<b>RS</b>	Harness turn signals	<b>B18</b>	LH/RH	each	45.96
88273		Rubber grommet,indicator cable	2/car		each	3.80
MSA17		Screw kit for lens	1/car		each	2.54
<b>Rear light parts</b>						
659096		Rear light lens	All red	1957-62	each	74.17
672426		Rear light lens Swedish version	Y/R/W	1963-	each	83.37
672333		Rear light lens with chrome trim	Y/R/W	1963-	each	178.14
667674		Rear light lens US version red/red/white with chrome trim	Red/Red/White	1963-	each	178.14
667676		Rear light lens US version red/red/white	Red/Red/White	1963-	each	95.09
667678		Rear chrome trim		1963-	each	101.43
667675		Rear reflector	2/4d/wagon	1963-	each	155.64
MSA18		Screw kit for reflector		1/car	each	0.95
192543		Upper screw taillight	upper	2/car	each	1.58
950099		Screw lower taillight	lower	2/car	each	1.58
654491/92		Reflector housing	2/4d	Vä/Hö	each	93.19
654483		Reflector	2/4d/wagon	2/bil	each	50.72
<b>273242/43</b>		<b>Kit with reflector housing, reflector and rubber seal.</b>	<b>2/4d</b>	<b>LH/RH</b>	<b>each</b>	<b>125.21</b>
668675		High/low beam switch	Hi/lo beam	Bosch	each	90.66
668675R	<b>R</b>	High/low beam switch		Repro	each	53.89
MS28		Screw kit & nut for bearn switch		1/car	each	7.92



### Relay/indicator & cigarr lighter

669102		Relay lights 12 Volt			each	60.54
1307991		Relay for headlamp dip via indicator			each	93.83
89111		Flasher relay	2-pin	6V	each	84.00
667408		Directional indicator switch	-1963	12V	each	60.54
667408-1	R	Flasher relay "reproduction"	B18	12V	each	21.24
667407		Directional indicator switch (wagner)	ch140000-	1964-67	each	55.47
667407-1	R	Flasher relay "reproduction"	B18	12V	each	12.68
686452		Directional indicator switch	B20	1969-70	each	60.54
662115	N	Switch for fan	not USA	68-70	each	47.55
657317		<b>Used</b> directional indicator switch	1/car		each	115.70
663047	R	Overdrive switch (comes with knob)			each	150.57
658225		Knob for overdrive switch/indicator switch			each	47.55
672115	N	Companion flange (inside housing )			each	31.70
662118		Cigarr lighter sleeve (sender)	12V	Casco	each	58.64
93931	N	Glow element	6V	Casco	each	50.72
662108		Glow element	12V	Casco	each	55.47
93544	N	Washer between glow element & knob 673107			each	4.75
673107	N	Knop for Cigarr lighter			each	7.92
277238R	R	Cigar lighter compl	12V	Casco	each	93.51
<b>HORN SIGNAL</b>						
238191		Repaired horn	6V Bosch		each	84.00
240990		Repaired horn	12V Bosch	high tone	each	84.00
678841		Repaired horn	12V HELLA	high tone	each	84.00
stho		Corecharge horn			each	47.55
658362	N	Retainer hornsinal			each	9.51
658358	N	Spring hornsinal			each	11.09
658378	N	Retainer for spring			each	26.94
<b>LICENCE LIGHT</b>						
668979		Lens in trunk handle	1964-70	2/car	each	55.47
668942		Bulb holder (used)		2/car	each	3.80
668982		Rubber grommet for lead wire		2/car	each	3.17
192610	R	Screw for lens trunk handle	1964-70	2/car	each	2.54
<b>REAR LIGHT GASKETS + COMPARTMENTS</b>						
13319	RS	Moulding between reflector body		0,8m/car	each	7.61
13319	RS	Moulding used in a number of places can be used at trunk handle			meter	9.51
663581	RS	Gasket rubber rear light housing	1959-62	2/car	each	40.57
667612		Gasket rubber rear light housing	1963-70	2/car	each	18.07
660555	RS	Trunk handle gasket	1959-63	1/car	each	33.28
669071		Original seal moulding trunk handle	1964-70	0,35/car	each	11.73

**BULBS**

182035	<b>R</b>	Symetric 45/40W headlight	45/40W	6V	each	12.05
182035-1	<b>R</b>	Symetric 45/40W headlight	45/40w	6V	each	12.05
277730	<b>R</b>	Asymetric 45/40W headlight	45/40W	12V	each	12.05
277752	<b>R</b>	Headlight bulb H4, 60/55W	60/55W	12V	each	12.05
19897	<b>R</b>	Turn signal		6V	each	4.12
191188	<b>R</b>	Turn signal		6V	each	4.12
277707	<b>R</b>	Turn signal / parking light		12V/5W	each	4.12
277724	<b>R</b>	Turn signal	chn.-102034	12V/20W	each	4.12
277721	<b>R</b>	Turn signal	chn.102034-	12V	each	4.12
191188	<b>R</b>	Stop & taillight	chn.-20999	6V	each	4.12
19897	<b>R</b>	Stop & taillight	chn.21000-	6V	each	4.12
277724	<b>R</b>	Taillight upper	1957-62	12V	each	4.12
277728	<b>R</b>	Taillight lower	1957-62	12V	each	4.12
277721	<b>R</b>	Taillight upper	1963-	12V	each	4.12
277729	<b>R</b>	Taillight middle	1963-	12V	each	4.12
277722	<b>R</b>	Taillight lower	1963-	12V	each	4.12
182007	<b>R</b>	Licence light	B16	6V	each	2.85
277707	<b>R</b>	Licene light	-1964	12V/5w	each	4.12
277713	<b>R</b>	License light	1964-	12V	each	2.85
277715	<b>R</b>	Licence light	220 ch# -8274	12V/5w	each	2.85
277713	<b>R</b>	Licence light	220 ch# 8275-	6V	each	2.85
182057	<b>R</b>	Interior light		6V	each	2.85
277715	<b>R</b>	Interior light		12V	each	2.85
277721	<b>R</b>	Engine & trunk lights bulb		6V/4W	each	4.12
19901	<b>R</b>	Instrument		6V/2W	each	4.12
277703	<b>R</b>	Instrument /warning		12V/2W	each	4.12
277705	<b>R</b>	Oil pressure		12V/6W	each	4.12

## ENGINE COMPONENTS

### Cooling system

252056		Radiator unit	57-60	B16	each	713.21
252087	<b>R</b>	Radiator unit	61-66	B18	each	713.21
252111	<b>R</b>	Radiator unit, closed system	67-70	B18/B20	each	713.21
87502		Radiator drain cock	-1966	B16/18	each	66.25
660094		Radiator hose	upper	B16	each	30.43
660095	<b>R</b>	Radiator hose	lower	B16	each	29.80
663031	<b>R</b>	Radiator hose	upper/lower	1962-66	each	25.04
676556	<b>R</b>	Radiator hose	upper	1967-70	each	24.41
673196	<b>R</b>	Radiator hose	lower	1967-70	each	25.99
942700	<b>RS</b>	Radiator hose between expander & radiator		1967-70	meter	13.31
952659	<b>RS</b>	Hose clamp radiator hose 25-32 mm			each	3.17
673989		Rubber bushing for radiator	3/car	B18	each	6.66
<b>273062</b>	<b>R</b>	<b>Radiator hose kit</b>	1/car	1962-66 B18	set	69.10
418334		Water inlet pipe		B18/B20	each	48.18
419331		Water outlet pipe		B18/B20	each	59.59
87842	<b>R</b>	Radiator cap	-1966	B16/18	each	39.62
461646		Radiator cap incl. Gasket	1967-70	B18/B20	each	30.11
676553	<b>RS</b>	Gasket for 461646		B18/B20	each	3.17
686833		Expansion tank ( use also for B18)		B20	each	125.21
673336	<b>R</b>	Expansion tank cap		B18	each	42.79
673233	<b>R</b>	Expansion tank cap		B20	each	49.13
687103	<b>RS</b>	Gasket for 673233		B20	each	7.61
273163	<b>R</b>	Thermostat (state temp.)		B16	each	45.96
273164	<b>R</b>	Thermostat (state temp.)		B18/B20	each	32.33
418496	<b>N</b>	Thermostat 77°C	B18/B20	<b>Original</b>	each	47.55
403161	<b>RS</b>	Thermostat gasket		B16	each	4.75
418361	<b>RS</b>	Thermostat gasket (rubber)		B18/B20	each	6.34
403793	<b>RS</b>	Gasket thermostat housing to engine	1/car	B16	each	4.75
418325		Aluminium housing for thermostat	-1966	B18/B20	each	92.24
419333		Aluminium housing for thermostat	1967-	B18/B20	each	92.24
418031	<b>R</b>	Waterpump including gasket		B16	each	338.85
403105	<b>RS</b>	Gasket for waterpump		B4B/B16	each	6.66
13911	<b>RS</b>	Hose waterpump/housing		B4B/B16	each	8.56
271602		Water pump	ORIGINAL	B18/B20	each	261.51
271602-1	<b>R</b>	Water pump (reproduction)		B18/B20	each	95.09
270664	<b>R</b>	Repair kit waterpump		B18/B20	set	14.58
275603	<b>N</b>	Repair kit for waterpump	<b>Original</b>	B18/B20	each	114.43
951684	<b>R</b>	Fan belt		B16	each	22.19
960282	<b>R</b>	Fan belt		B18/B20	each	20.60

<b>Carburetors</b>						
55192	<b>RS</b>	Choke wire, single carburettor		B16/B18/B20	each	35.82
55192-2	<b>RS</b>	Choke wire, double carburettor		B16/B18/B20	each	58.64
664425	<b>R</b>	Rubber grommet for choke wire (holds cables together)			each	11.41
418561		Cable retainer	2/car	B18 B/D	each	11.41
950003		Screw for reatiner	2/car	B18 B/D	each	1.58
276413	<b>RS</b>	Repair kit carburettor VN 34	1957-60	B16A	set	199.70
276286	<b>RS</b>	Repair kit carburettor VN 36	1961-68	B18A	set	199.70
275418		Gasket kit Zenit carburettor	VN34/36		each	31.38
275489	<b>RS</b>	Repairkit carburettor Stromberg incl.needle	CD175	B18	set	174.34
276295	<b>RS</b>	Repairkit carburettor Stromberg incl.needle	CD175	B20	set	193.36
271474		Gasket kit stromberg		B20A	each	21.55
276217	<b>R</b>	Repair kit carburettor sport SUH6		B16B	pair	345.51
276278	<b>R</b>	Repair kit carburettor sport SUH6	1961-68	B18	pair	315.40
276292	<b>R</b>	Throttle shaft kit	1961-68	B18	set	150.57
276290	<b>RS</b>	Throttle spindle kit with bushes	1967-69	B18	set	81.78
237009		Carburettor needle SU		B16B	each	47.55
237050		Carburettor needle SU		B16B	each	52.30
237221		Carburettor needle SU H6	ZH		each	50.72
237255		Carburettor needle SU H6	KF		each	58.64
237248		Carburettor needle SU H6	KD		each	52.30
237315		Carburettor needle SU H6	DX		each	47.86
237103		Carburettor needle SU H6	TZ		each	57.69
234346		Carburettor needle stromberg	ch-333999	B20 1969	each	61.81
237441		Carburettor needle stromberg	ch 33400-	B20 1970-72	each	71.32
237350		Carburettor needle stromberg		B20B 1969-70		
656871		Rubber bushing carburettor/aircleaner		B16A/B18A	each	47.86
656871-1		Rubber bushing carburettor/aircleaner	USED	B16A/B18A	each	16.48
403919	<b>RS</b>	Gasket carburettor	VN34	B16	each	4.75
403882	<b>RS</b>	Gasket carburettor	VN36	B18	each	5.07
237106		Gasket carburettor			each	3.80
419888		Isolator washer		B18A	each	44.38
237161	<b>N</b>	Emulsion block	VN36	B18	each	125.21
237193		Acceleration jet #50	VN36	B18	each	23.77
418754		Gasket stromberg carburettor	1961-70		each	3.17
820352		Screw for lid to stromberg carbuettor		B18A	each	1.58
237058	<b>RS</b>	Diaphragm kit (spring,gaskets & diaphragm)		VN34/VN36	each	31.06
237666	<b>R</b>	Diaphragm		Stromberg	each	15.22
237023	<b>R</b>	Float		VN34/VN36	each	25.04
237186/87	<b>R</b>	Jet SU	1+1/car	B18	each	
419796	<b>R</b>	Fuel hose rubber in front of pump	1965-70		meter	11.73
419797	<b>R</b>	Fuel hose rubber pump to carburettor	1965-70		meter	11.73
237027	<b>RS</b>	Restored carburettor VN34	1957-60	B16A	each	570.57
237128	<b>RS</b>	Restored carburettor VN36	1961-66	B18A	each	554.72
237128NOS		NEW carburettor VN36	1961-66	B18A	each	887.55
237243	<b>RS</b>	Restored carburettor Stromberg	CD175	B18	each	671.05
237802	<b>RS</b>	Restored carburettor Stromberg	CD175	B20A	each	671.05
237802-1		Carburettor 175CD B20A NEW	CD175	B20A	each	903.40
237069	<b>RS</b>	Restored carburettor SU	SU	B16B	pair	1261.27
237245	<b>RS</b>	Restored carburettor SU 2-bolt	SU		pair	1240.66
237314	<b>RS</b>	Restored carburettor SU 3-bolt	SU		pair	1240.66
<b>STFÖ</b>		<b>Exchange system, refundable corecharge</b>			each	79.25

<b>Airfilter</b>					
660447		Airfilter incl new bolts	2/car	B16B	each 142.64
660447-1	<b>R</b>	Airfilter insert	2/car	B16B	each 39.62
73607	<b>RS</b>	Air filter	1961-64	B18A	each 43.43
952982	<b>R</b>	Connecting (rubber) hose for air/oilbath filter	1961-1966	B18A	each 21.87
951798	<b>R</b>	Hose clip for 952982	2/car	B18A	each 5.07
663852	<b>N</b>	Bracket for airfilter 73607	1961-64	B18A	each 39.62
MSA19		Mounting kit for bracket 663852	1961-64	B18A	each 14.26
73606R	<b>R</b>	Air filter Aluminum aftermarket	1961-66	B18B/D	each 38.04
73606		Air filter Blue original	1961-66	B18B/D	each 79.25
73604		Airfilter oil bath		B18A	each 125.21
669893		Air filter	1961-66	B18A	each 237.74
679260		Air filter without pipe	1967-	B18A	each 180.68
679261		Air filter with pipe	1967-	B18A	each 179.09
656871		Rubber bushing carburettor/aircleaner	1961-66	B16A/B18A	each 47.86
955531		Screw for 679260	3/car	B18A	each 4.75
955530		Screw for 679261 & 672280/81	3/car	B18A	each 4.75
MS29		Screw kit for 73606	1/car	B18B/D	each 8.88
672280/81		Air filter (front/rear)	1967-68	B18B/D	each 83.37
1277775		Air filter house & insert	1969-70	B20A	each 71.64
681437	<b>R</b>	Air filter insert	1969-70	B20A	each 23.77
679658	<b>R</b>	Air filter Sport model	1969-70	B20B	each 53.89
403919	<b>RS</b>	Gasket for airfilter 660447		B16B	each 4.75
677607		Gasket for airfilter 679658 & 672280/81 & 73606		B18B/D/B20B	each 4.75
680642	<b>R</b>	Gasket for airfilter 681437	1969-70	B20A	each 4.75
679623	<b>N</b>	Clamp for airfilter house 679658	1969-70	B20A	each 4.75
<b>Electrical/ignition system parts "BOSCH"</b>					
2844		Electrical ignition	1965-68	B18B/D	each 396.23
1847VC		Electrical ignition	-1974	B20	each 301.13
870690		Distributor cap		B16/B18/B20	each 41.21
1277720		Distributor cap	1971-73	B20	each 42.16
418265	<b>RS</b>	Gasket under distributor		B18/B20	each 2.22
976733		Rubber hose to vacuum govenor		B18/B20	meter 30.43
241654		Vacumm Governor		B20A	each 182.26
241665		Vacumm Governor		B20B	each 242.49
233677		Distributor point kit		B16	each 21.24
238859		Distributor point kit	B18A-68	B18D-64	each 20.60
240149		Distributor point kit	1965-68	B18B/D	each 19.02
241652		Distributor point kit		B20A	each 17.75
1306169		Distributor point kit	1969-73	B20B/E	each 17.75
76977		Distributor rotor		B16	each 32.33
238258		Distributor rotor	-1964	B18	each 32.33
243903		Distributor rotor	1965-70	B18/B20	each 21.87
77732		Condensor		B16	each 36.45
241397		Condensor		B18	each 20.60
241650		Condensor	1969-71	B20	each 20.60

<b>Fuses</b>					
11434P		Fuse 25A (short) (porcelain)	25A		each 4.75
11434	<b>R</b>	Fuse 25A (short) (glass)	25A		each 4.75
11433	<b>R</b>	Fuse 8A	8A		each 1.27
942545	<b>R</b>	Fuse 8A	8A	123GT	each 1.27
942785	<b>R</b>	Fuse 16A	16A	123GT	each 1.27
192228		Fuse box		B18	each 84.95
192229		Fuse box lid		B18	each 73.54
667698	<b>RS</b>	Decal fuse box lid		6V/12V	each 8.56
182008	<b>N</b>	Cable joint, red with text "Volvo"		B16	each 4.12
<b>Ignition coils</b>					
238960		Ignition coil		B18/20	each 1212.14
35254		Ignition coil (replaces 241609)		B20	each 103.02
241611-1	<b>R</b>	Ignition coil 12V (replacement, not original)	12V		each 114.11
241611PX		Ignition coil 12V (replacement, not original)	12V		each 188.60
1219099		Ignition Coil bracket			each 15.85
275652	<b>RS</b>	Ignition cable set	Red	B16	set 58.01
275660	<b>RS</b>	Ignition cable set	Red	B16/18/20	set 76.08
673580	<b>R</b>	Rubber casing starter cable			each 6.66
403296	<b>R</b>	Spark plug (14 mm)		B4B/B16A	each 12.36
403297		Spark plug		B16B	each 12.36
271411	<b>R</b>	Spark plug	B18B/D	B20B/D/F	set 53.25
271412	<b>R</b>	Spark plug		B18A/B20A	set 53.25
<b>Distrubutor rebuilt</b>					
241298		Distrubutor		late B18B	each 459.62
241530		Distrubutor	1969	B20B	each 505.58
243314	<b>R</b>	Distrubutor (Replace also 241719+243184)		B20E/F	each 505.58
Stför		Chorecharge distrubutor			each 142.64
<b>Battery &amp; Earth strap</b>					
190398	<b>RS</b>	Battery lead, battery-starter engine		B16	each 39.62
192647	<b>RS</b>	Battery lead, battery-starter engine		B16/18/20	each 61.81
11417	<b>RS</b>	Earth strap battery-body		B16/18/20	each 13.00
190339	<b>RS</b>	Earth strap engine-body		B16/18/20	each 9.83
952625	<b>RS</b>	Rubber clamp 10 mm			each 1.58
<b>Starter motor</b>					
233679	<b>R</b>	Carbon brush kit starter	Bosch	B16	set 21.24
233679	<b>R</b>	Carbon brush kit starter 238620	Bosch	early B18	set 21.24
238817	<b>N</b>	Brush spring	Bosch	early B18	each 6.34
240604	<b>R</b>	Carbon brush kit starter	Bosch	B18/B20	set 16.48
77800		Engine starter		B4B/B16	each 491.32
240360		Engine starter	Bosch	B18/B20	each 329.03
240619		Starter pinion for 240360	Bosch	B18/B20	each 142.01
238824		Starter pinion for 238620	Bosch	B18/B20	each 206.99

<b>Dynamo</b>						
238479	<b>R</b>	Carbon brush kit generator	Bosch	B16	set	21.24
273500	<b>R</b>	Carbon brush kit generator	Bosch	B18/B20	set	19.02
238801		Brush spring	Bosch	B18/B20	each	6.02
238640		Charging relay 12V D/C		12V	each	247.88
MS103	<b>RS</b>	Mounting kit charging relay	-1964	12V	each	1.27
MS104	<b>RS</b>	Mounting kit charging relay	1965-	12V	each	0.95
11010		Front bearing for dynamo	Dynamo	B18B	each	19.34
190718	<b>N</b>	Nut for 238793	Dynamo		each	1.90
11009		Rear bearing for dynamo	Dynamo	B18B	each	21.87
233630		Generator rebulidt		6V	each	586.42
238621	<b>RS</b>	Generator rebulidt	1961-68	B18	each	568.98
STGE		Corecharge only generator including bearings			each	142.64
MS102	<b>RS</b>	Mounting kit for generator incl bushings		B18	each	24.41
403877		Rubber bushing for generator	8/car	B18	each	3.80
<b>Alternator</b>						
419420	<b>RS</b>	Alternator with relay	35A	B18	each	505.58
STGE		Corecharge only generator including bearings			each	142.64
1259303		Charging relay (old partnr 419589)	-339999	SEV	each	142.64
1259303R		Charging relay (old partnr 241534)	-339999	SEV	each	114.43
1308030R		Charging relay (old partnr 241534)	340000-	Bosch	each	174.34
244456	<b>R</b>	Carbon brush kit generator	Bosch	B18B/B20	set	19.34
241698	<b>N</b>	Repair kit for alternator at NOS please ask Repair kit for terminal		B20	each	79.25
<b>Wiring harness, Electrical Connectors</b>						
242	<b>R</b>	Wiring harness complete		B18	each	1110.07
243	<b>R</b>	Wiring harness complete	1969-70	B20	each	1110.07
244	<b>R</b>	Wiring harness complete	1967-68	123GT	each	1240.66
10566		Workshop manual elecrical system	Eng	120	each	45.01
958211		Headlamp connector (box+3 spade connectors)			each	8.24
958214/15	<b>R</b>	Connector box including connectors	black		each	27.89
191676	<b>N</b>	Bridging connector (in connector box)			each	13.63

### Engine gaskets & pin bolt

403808		Cylinder head gasket		B16	each	79.25
418990	<b>R</b>	Cylinder head gasket		B18	each	51.67
460552	<b>R</b>	Cylinder head gasket		B20A	each	52.30
419763	<b>R</b>	Cylinder head gasket		B20B	each	52.30
403833	<b>RS</b>	Head to manifold gasket	Copper	B16	set	53.89
418870		Head to manifold gasket	original	B18/B20	each	36.14
403546	<b>R</b>	Manifold to exhaust gasket	single	B16/B18	each	9.83
671822	<b>R</b>	Manifold to exhaust gasket	double	B18/B20	each	9.83
191163	<b>R</b>	Bolt for manifold inlet	40 mm	B16	each	3.17
17624		Nut for manifold	6/car	B16	each	4.75
953259		Bolt for manifold gasket 403546/671822	2/car	B16/B18	each	3.49
190852	<b>R</b>	Nut for exhaust manifold 953259	2/car	B16/B18	each	3.80
953238		Bolt for manifold inlet L38		B18/B20	each	3.49
953239		Bolt for manifold inlet L40		B18/B20	each	7.92
953241		Bolt for manifold inlet L45		B18/B20	each	4.75
953243		Bolt for manifold inlet L50		B18/B20	each	4.75
191169		Washer manifold	D=22		each	3.17
955826		Nut for bolts 953238-43			each	1.27
419564	<b>N</b>	Gasket cover manifold	Sport	B18/20	each	10.46
54971	<b>RS</b>	Cylinder head gasket set		B16	each	137.89
275411	<b>R</b>	Cylinder head gasket set		B18	set	116.02
275536	<b>R</b>	Cylinder head gasket set	-1972	B20	set	116.02
54970	<b>RS</b>	Engine gasket kit		B16	set	196.53
275494	<b>R</b>	Engine gasket kit		B18	set	181.95
275535	<b>R</b>	Engine gasket kit		B20A/B	set	181.95
275553-1	<b>R</b>	Engine gasket kit		B20E	set	206.04
273060	<b>RS</b>	Engine mount incl nuts & washers		B16/18/20	each	28.53
666890		Engine mount	123GT	B20B	each	50.72
666890-1	<b>R</b>	Engine mount incl nuts & washers	123GT	B20B	each	28.53



### Mechanical Engine parts

276658-62	<b>R</b>	Rod bearing kit (available in sizes: std / 0,010 / 0,020		B16	set	183.85
276686-90	<b>R</b>	Main bearing kit	std, 0,010, 0,020	B16	set	225.06
271214-18	<b>R</b>	Main bearing kit	std, 0,010, 0,020	B18/B20	set	125.21
271051-55	<b>R</b>	Rod bearing kit	std, 0,010, 0,020	B18/B20	set	93.51
275112/21/22/23	<b>R</b>	Pistons with rings	0,020. 0,030. 0,040.	B16	each	315.40
275194/95/96/97	<b>R</b>	Pistons with rings	0,020. 0,030. 0,040.0,050	B18	each	207.62
272002-12-04	<b>R</b>	Pistons with rings	std- 0,015. 0,030	B20	each	207.62
275215-18	<b>R</b>	Piston ring set	std, 0,020, 0,030,0,040	B16	set	166.42
275282-85	<b>R</b>	Piston ring set	std, 0,020, 0,030,0,040	B18	set	166.42
275334-36	<b>R</b>	Piston ring set	std, 0,020, 0,030	B20	set	166.42
403486	<b>R</b>	Exhaust valve	4/car	B16	each	55.47
403881	<b>R</b>	Intake valve	4/car	B16	each	55.47
403486-81	<b>R</b>	Kit with valves	8/set	B16	set	348.68
419292	<b>R</b>	Exhaust valve	4/car	B18	each	39.62
419368	<b>R</b>	Intake valve	4/car	B18	each	39.62
419639	<b>R</b>	Intake valve	4/car	B20	each	34.87
419640	<b>R</b>	Exhaust valve	4/car	B20	each	34.87
403390	<b>R</b>	Valve guide in/out	8/car	B16	each	25.68
415266	<b>R</b>	Valve guide in/out	8/car	B18	each	16.48
419652	<b>R</b>	Valve guide intake valve	4/car	B20	each	15.85
419653	<b>R</b>	Valve guide exhaust valve	4/car	B20	each	15.85
418295	<b>R</b>	Rod bushings std	4/car	B18/B20	each	14.26
403717		Valve spring	8/car	B16	each	18.07
418737	<b>R</b>	Valve spring	8/car	B18/B20	each	18.07
415035	<b>N</b>	Valve collet	16/car	B18	each	4.75
419643		Valve collet	16/car	B20	each	3.80
18146	<b>N</b>	Bushing rockerarm	8/car	B16	each	6.34
418297	<b>R</b>	Bushing rockerarm	8/car	B18/B20	each	13.31
130078	<b>N</b>	Stud for bearing bracket	2/car	B16	each	19.02
418286	<b>N</b>	Adjuster screw rockerarm	8/car	B18/B20	each	7.92
921781		Nutt for adjuster screw 418286	8/car	B18/B20	each	2.22
191689	<b>N</b>	Bolt for bearing bracket	4/car	B18/B20	each	1.58
415424	<b>RS</b>	Valve rubber seal	8/car	B16/B18	set	27.89
1306630	<b>RS</b>	Valve rubber seal	12/car	B20 69-	st	3.80
191523		Head bolt	10/car	B18/B20	each	12.68
82744		Drain cock valve on engine	1957-60	B16	each	31.38
82745		Drain cock valve on engine	61-70	B18/B20	each	31.38
70792		Frost plug 42mm	4/car	B4B/B16	each	6.34
418677	<b>R</b>	Frost plug 42mm	1/car	B16/B18/B20	each	4.75
418717	<b>R</b>	Frost plug 35mm	2/car	B18/B20	each	4.75
418718	<b>R</b>	Frost plug 45mm	7/car	B18/B20	each	4.75
276274		Timing gear set	Fibre	B4B/B16	set	332.83
270690	<b>RS</b>	Timing gear set	Fibre	B18/B20	set	344.88
271944	<b>RS</b>	Timing gear set	Steel	B18/B20	set	427.92
190219	<b>RS</b>	Felt seal crank shaft	rear	B16	each	5.07
190537	<b>RS</b>	Felt seal crank shaft	front	B16	each	7.92
418621/22	<b>RS</b>	Felt oil seal crankshaft	rear/front	B18/B20	each	11.09
430134	<b>R</b>	Gasket rear flange		B18/B20	each	6.34
1218634	<b>R</b>	Rear flange with rubber seal gasket (converts fealt seal to oilseal)		B18/B20	set	116.02
430118	<b>R</b>	Oil seal for modern style sealing		B18/B20	each	28.85

11009	<b>R</b>	Fly wheel bearing		B16/18/20	each	21.87
191848		Lock ring for 11009		B18/B20	each	3.49
418663		Cover plate for 11009		B18/B20	each	18.38
403075/74	<b>RS</b>	Timing cover gasket	front/rear	B4B/B16	each	
418272	<b>RS</b>	Gasket timing gear casing		B18/B20	each	12.36
955514		Screw for timing cover 25mm	2/car	B18/B20	each	1.27
940158		Screw for timing cover 45mm	7/car	B18/B20	each	1.90
941906		Wascher	9/car	B18/B20	each	0.16
418416	<b>N</b>	Oil nipple behind timing gear casing	1/car	B18/B20	each	30.11
1218706	<b>R</b>	Oil pump		B18/B20	each	274.19
418627	<b>N</b>	Oil delivery pipe		B18	each	47.55
419539		Oil delivery pipe		B20	each	90.02
418360		Rubber seal for oil delivery pipe		B18/B20	each	4.75
418277		Distributor drive gear		B18/B20	each	168.00
418288		Strainer for oil pump		B18/B20	each	87.80
418289	<b>N</b>	Lock ring for strainer		B18/B20	each	15.85
403017	<b>RS</b>	Oil pan gasket		B16	each	31.06
418262		Oil pan gasket	original	B18/B20	each	31.06
955523/24		Bolt for sump attachment length 16mm/19mm		B18/B20	each	0.95
403984	<b>R</b>	Oil filter		B16	each	33.60
3517857/57R		Oil filter 1962- (Original/Replacement)	1962-	B18/B20	each	
191086	<b>N</b>	Oil drain plug	1"	B18/B20	each	12.68
948187	<b>R</b>	Oil drain plug (magnetic) incl 18818	3/4"	B18/B20	each	19.97
190798	<b>R</b>	Oil drain plug (B16 from engine 70563)	3/4"	B18/B20	each	11.73
18818	<b>R</b>	Copper gasket drain plug		B18/B20	each	2.85
672910	<b>R</b>	Oil pressure sender		B16/B18/B20	each	20.92
403515		Oil filler cap (without ventilation cap)		B18/B20	each	58.64
418954		Oil filler cap (with ventilation cap)		B18/B20	each	71.32
940096		Gasket oil filler cap	Original	All mod	each	6.66
460003		Hose for oil filler cap			each	20.60
403087	<b>RS</b>	Valve cover gasket		B16	each	21.24
419678	<b>R</b>	Valve cover gasket		B18	each	17.12
950045		Screw for valve cover	4/car	B18/B20	each	0.95
418412		Seal ring oil trap/breather pipe early mod.	di = 21	B18/B20	each	5.07
419805		Seal ring oil trap/breather pipe early mod.	di = 26	B20	each	6.66
943706		Hose		B18	m	49.13
942390		Hose		B20	m	49.13
419422		Hose between oil trap & nipple		B18	each	17.75
418982		Valve between 419422 & 942390		B18	each	26.94
<b>Camshaft &amp; valve lifters</b>						
275761-64	<b>R</b>	Camshaft set (with lifters) B18/20 (type A-C-D-K)		B18/B20	set	403.52
275765	<b>R</b>	Camshaft set (with lifters) B18/20 (type R)		B18/B20	set	443.77
418423		Valve lifter	8/car	B18/B20	each	17.12
418304		Push rod	8/car	B18/B20	each	30.11
419681		Thrust flange	1/car	B18/B20	each	38.04
418363	<b>N</b>	Spacer ring	1/car	B18/B20	each	15.85
150169	<b>N</b>	Nut for camshaft	1/car	B18/B20	each	14.26
910118		Woodruff key on camshaft	1/car	B18/B20	each	7.92
10768	<b>N</b>	Nut for camshaft	1/car	B16	each	14.26
15181	<b>N</b>	lock washer for camshaft	1/car	B16	each	3.17
403484	<b>N</b>	Bolt for connecting rod	8/car	B16	each	19.02
150106	<b>N</b>	Nut for connecting rod	8/car	B16	each	3.80
430119		Cam bearing kit		B18/B20	set	73.54
9434521	<b>RS</b>	Engine paint red	1 Liter	57-70	liter	87.17
9434521-1	<b>RS</b>	Engine paint red (enough for one engine)	0.33 liters	57-70	1/3 litre	39.62
006	<b>RS</b>	Paint for exhaust manifold	1 liter	liter	liter	110.94
006-1	<b>RS</b>	Paint for exhaust manifold	0,33 L	1/3 litre	1/3 litre	45.01

10228		Workshop manual engine	English	B16B	each	45.01
10400/02		Workshop manual engine	Swedish/Eng	B18A	ea	45.01
10114/15		Workshop manual engine	Swedish/Eng	B18B/D	ea	45.01
<b>FUEL SYSTEM</b>						
276223	<b>R</b>	Fuel pump repair kit Type AC	1957-64		set	129.96
276281	<b>R</b>	Fuel pump repair kit Type AC (419291)	1965	B18	each	81.78
276520	<b>R</b>	Fuel pump 418878 repair kit	1966-70	B18	each	97.95
18780	<b>RS</b>	Gasket fuel pump rubber			each	5.07
61830	<b>RS</b>	Engine to fuel pump gasket	2/car		each	3.49
460678		Spacer fuel pump (backelit)			each	23.77
418878	<b>R</b>	Fuel pump	B18	1965-	each	91.61
13525	<b>RS</b>	Fuel filler hose	AZ 220		each	29.80
121520	<b>RS</b>	Filler hose clamp for 13525	2/car		each	4.75
64757	<b>RS</b>	Fuel hose, fuel line to fuel pump (metal)	57-65	57-65	each	52.30
661882	<b>N</b>	Fuel hose, fuel pump to carburettor		57-65	each	49.13
419796	<b>R</b>	Fuel hose rubber in front of pump	1965-70		meter	11.73
419797	<b>R</b>	Fuel hose rubber pump to carburettor	1965-70		meter	11.73
954343		Elbow union	Ch-41156	B16A	each	33.28
16218		Elbow union	CH-22568	B16B	each	32.02
260020	<b>R</b>	Fuel tank	AZ STD316/B18/B20		each	760.75
662152		Fuel guage sender	AZ STD	B18/B20	each	232.03
662155		Fuel guage sender	220	12V	each	234.25
89865		Gasket tank to meter			each	12.05
655617	<b>N</b>	Protecting plating fuel gauge sender		B16/B18	each	19.02
950021		Screw for fuel tank		5/car	each	0.63
MSA14	<b>R</b>	Screw kti for tank			each	4.12
007		Gas tank sealer			litre	93.51
653212		Fuel rubber grommet PV			each	18.70
662463		Fuel cap PV	AZ STD		each	51.35
16335	<b>RS</b>	Gasket for fuel cap 662463	Rubber		each	8.88
954305	<b>R</b>	Fuel pipe under car "bundy pipe"	5 meter		each	109.36
954322	<b>R</b>	Union (cap) nut for fuel pipe & fuel tank			each	6.97

**HEATER SYSTEM**

673452		Heater valve	1/car		each	301.13
659357	<b>RS</b>	Gasket heater valve to firewall	1/car		each	6.66
94081		Rubber button heater element	2/car	B16/B18	each	4.75
82429		Rubber plug heater	8/car		each	4.12
93963	<b>RS</b>	Rubber button heater element	1/car	B18/B20	each	5.07
40136	<b>RS</b>	Rubber button heater element	1/car	B16/B18	each	3.80
61544	<b>N</b>	Washer for heater element			each	1.58
654290	<b>R</b>	Clip for fresh air intake steel	5/car	B16	each	3.80
672382		Clip for fresh air intake plastic "white"	6/car	B18/B20	each	4.75
672382-1	<b>R</b>	Clip for fresh air intake plastic "black"	6/car	B18/B20	each	2.22
658722	<b>RS</b>	Rubber gasket for flap	1/car		each	8.88
658728	<b>RS</b>	Rubber gasket for flap	1/car		each	8.88
659752	<b>RS</b>	Rubber gasket for casing (square)	1/car	Fyrkantig	each	19.02
658731	<b>RS</b>	Rubber gasket for casing/air intake (oval)	1/car	Oval	set	19.02
659139	<b>RS</b>	Rubber gasket between casing & turbine rotor	1/car		each	9.19
13569	<b>RS</b>	Heater hose red	2m / bil	B16	m	16.48
660047	<b>R</b>	Heater hose	1/car	B16/B18	each	23.77
943053	<b>RS</b>	Heater hose	1/car	B16/B18	each	14.26
943053RED	<b>RS</b>	Heater hose, red	1/car	B16/B18	each	14.26
673705	<b>R</b>	Air duct rubber	1/car	B16/B18	each	21.87
682140	<b>R</b>	Heater hose	1/car	B20	each	29.16
673637	<b>R</b>	Heater hose	1/car	B20	each	29.16
673639	<b>R</b>	Heater hose	1/car	B20	each	33.28
951789		Hose clamps	6/car		each	3.49
661063		Draining hose	1/car	All	each	4.12
191136	<b>RS</b>	Air duct rubber rubber	1/car	B16	each	60.54
672483P	<b>RS</b>	Air duct rubber paper/aluminium	1/car	1957-1964	each	20.60
944405	<b>RS</b>	Air duct paper/aluminum		B20A/B	each	20.60
670391		Rubber hose on air duct (rear)			each	7.29
419331		Coolant pipe		B18/B20	each	59.59
658716		Fan motor "restored"		6V	each	245.66
661170		Fan motor "restored"		early 12V	each	245.66
668606AZ		Fan motor "restored"		12V	each	245.66
STFL		Core charge fan motor			each	95.09
10221/22		Workshop manual heatersystem	Swedish/Eng		each	45.01

### GEAR BOX PARTS

381107	RS	Gasket gear box	"cork"	M30/M40	each	11.73
275415	RS	Gasket kit	-1966	M30/M40	each	57.06
270745	RS	Gasket kit	1967-70	M30/M40	each	57.06
270744	RS	Gasket kit		M41	each	57.06
276502		Gasket kit		BW35	each	48.50
191685	R	Seal ring gearbox incoming axle front		M30/M40	each	19.65
19933	R	Seal ring gearbox outgoing axle rear	rear	-1966	each	16.48
942350	R	Seal ring gearbox outgoing axle rear	rear	1967-	each	23.14
656138		Synchronizing cone		M30/M40	each	119.50
191498/99	N	Snap ring thickness 2,1/2,2	M30/M40		each	7.92
86713	R	Spring	M30/M40		each	5.07
656514		Dog		3/car	each	8.88
380141		Dog		3/car	each	12.68
11009	R	Support bearing for gearbox input shaft			each	21.87
19568	N	Bearing main axle gearbox	2/car	H3/4/4/6	each	61.81
18431	N	Bearing incoming axle	front	M4/H6	each	65.93
11145	R	Bearing incoming axle	front	M30/M40	each	65.93
11013	R	Bearing outgoing axle M30/40 up to -1966	rear	M41-1968	each	33.28
11024	R	Bearing outgoing axle M30/40 1967-70	rear	M41 1969-70	each	36.77
181120		Roller for main axle	14/car	M30/M40	each	4.75
380136	N	Main drive pinion	1/car	M30/M40	each	277.68
656551			2/car	2/car	each	15.53
380157		Counter shaft for laygear			each	154.69
19567		Needle bearings for laygear	48/car		each	1.27
87972		Spring on ball 67089			each	5.39
380192		Sealring for speedometer gear			each	15.22
663151		Bush on linkage for auto colum change	4/bil	M40/BW35	each	7.29
380360		Reverse light contact		M40/M41	each	25.99
<b>Overdrive parts</b>						
380617		Solenoid overdrive	12V	D-type	each	315.40
181063	N	Ball bearing rear overdrive		D-type	each	84.32
380295	R	Seal ring gearbox rear axle		D-type	each	21.24
380684	R	Seal ring gearbox overdrive	69-74	J-type	each	22.51
380100	R	Gasket kit OD.D-type with O-rings & 380295	B18	D-type	each	93.51
380101	R	Gasket kit OD.D-type with O-rings & 380684	B20	J-Type	each	106.19
274043D		Wheel kit	B18	D-type	each	334.73
274043		Wheel kit	B20	J-Type	each	334.73
380356	N	Gasket right side overdrive		D-type	each	6.34
380441	N	Plastic washer kit,magnetic	latermod	D-type	each	41.21
380280	N	Gasket between oilseal and 380441		D-type	each	6.34
380311		Bushing for gearbox shaft		M41	each	8.88
662292		Inhibitor switch on gearbox lid			each	55.47
11996		Copper washer for 662292			each	2.54
273060	RS	Gear box mount		M30/M40	each	28.53
662711	RS	Gear box mount		M40	each	29.80
1221967	RS	Gear box mount		M41	each	29.80
656020	N	Rubber bushing for gear level lower/upper	M30	M40/M41	each	7.92
192125	N	Circlip gear level	M30	M40/M41	each	2.54
380198		Ball socket gear level	M30	M40/M41	each	6.34

**INSTRUMENT, SPEEDO CABLES/GEAR BOX**

660874	<b>R</b>	Spedometer cable	H6	B16	each	98.58
660840	<b>R</b>	Spedometer cable	M4-4 speed	B16	each	88.75
669020	<b>R</b>	Spedometer cable (w/o overdrive -1963)	M30/M40	B16/18	each	73.22
668598	<b>R</b>	Spedometer cable (with overdrive -1963)	M31/M41	B16/18	each	106.19
663789	<b>N</b>	Drive cable	M31/M41	B16/18	each	44.38
670505	<b>R</b>	Spedometer cable (with overdrive)	1964-	B18	each	71.32
670506	<b>R</b>	Spedometer cable	1964-	B18	each	71.32

654507		Spedometer cable rubber grommet	ch-20999		each	7.61
666622		Clamp choke arm			each	1.58
380164		Speedo meter gear	M30/M40	16 teeth	each	55.47
380753		Speedo meter gear for overdrive J-type	M41	B20	each	216.50
380192		Oil seal,speedo cable inlet in gearbox			each	15.22

673999		Temperature gauge with sender			each	422.85
190851		Connecting nipple for temp.gauge			each	21.24

672910	<b>R</b>	Oil pressure sender			each	20.92
--------	----------	---------------------	--	--	------	-------

**AUTO TRANSMISSION BW 35**

276502		Gasket kit			each	48.50
276501		Rubber/gasket kit			each	298.91

235985		Kick down cable			each	122.35
--------	--	-----------------	--	--	------	--------

235859		Oil drain plug			each	3.80
955523		Screw	15/box		each	0.95

235517					each	71.32
235728					each	57.06
235511					each	26.94
235705		Inlet pipe front			each	46.60

273432		Spring kit			each	244.08
273222		Spring kit			each	120.77
235814		Safety net			each	14.26

380164		Spedometer gear			each	55.47
380192		Sealring for spedometer gear			each	15.22
191117		O-ring			each	3.17

381704		Bushing			each	17.75
--------	--	---------	--	--	------	-------

662711		Gear box mount			each	29.80
--------	--	----------------	--	--	------	-------

**PROPELLER SHAFT**

672037	<b>R</b>	Universal joint	3/car		each	26.94
1217606	<b>R</b>	Universal joint, with grease cap	3/car		each	37.09
273202		Bolt kit universal joint	3/car		each	17.43
15260		Locking washer universal joint	6/car		each	4.75
192554	<b>R</b>	Grease nipple for universal joint with grease cap			each	1.90

653192		Rubber bushing propeller shaft	2/car	B16	each	9.51
658653		Rubber bushing propeller shaft	2/car	-1966	each	9.51
675367		Rubber bushing propeller shaft	1/car	1967-70	each	22.51
675587		Rubber bushing propeller shaft & bearing			each	23.77
181252	<b>R</b>	Propeller shaft bearing	1/car	1957-66	each	81.78
181549	<b>R</b>	Propeller shaft bearing	1/car	1967-70	each	34.87
15550		Corkgasket	1/car		each	19.02

10372/73		Workshop propeller shaft	Swe/Eng		each	45.01
----------	--	--------------------------	---------	--	------	-------

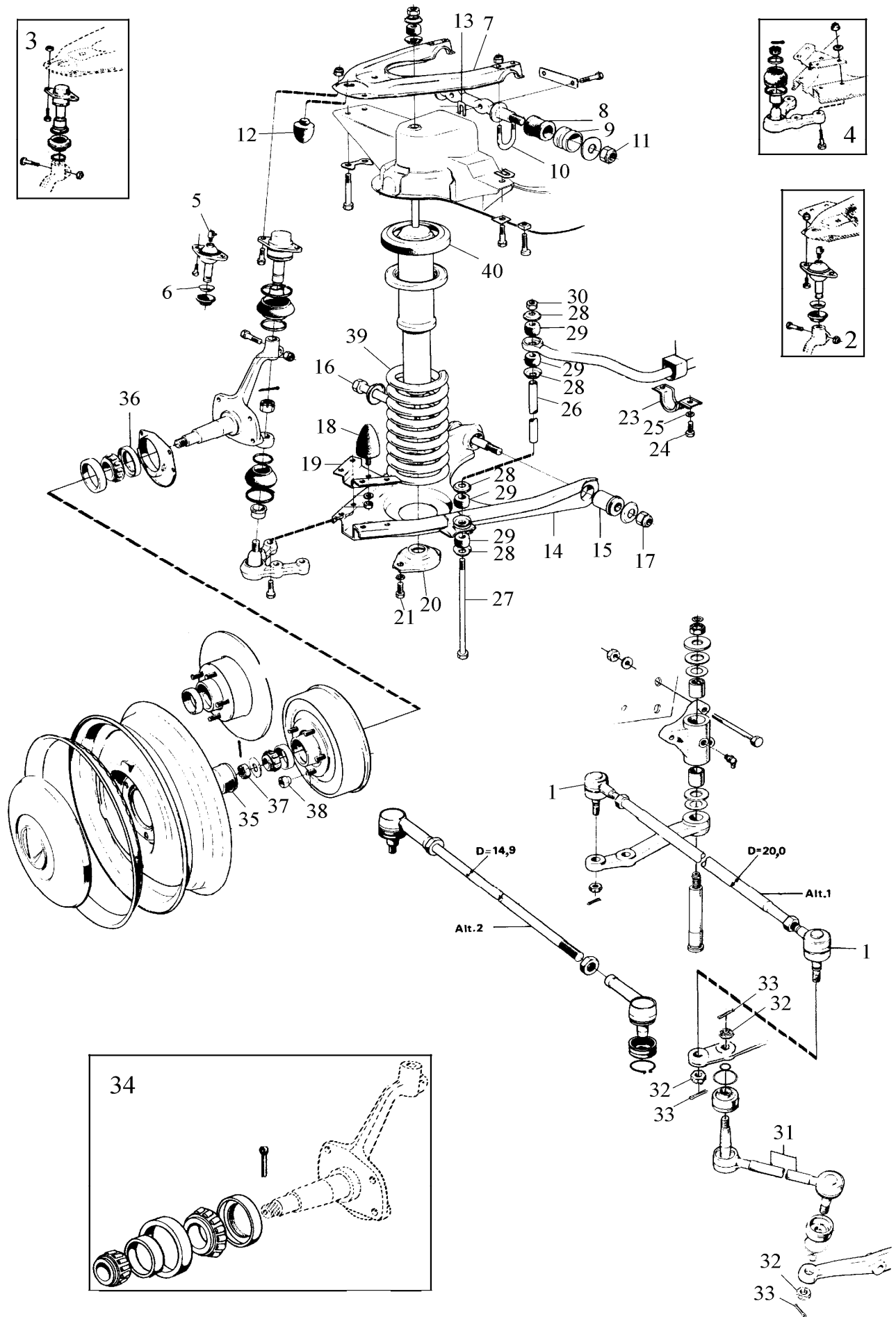


Fig 2: Front Suspension Amazon

### FRONT SUSPENSION BUSHINGS

273004	<b>R</b>	2:2	Ball joint upper, repair kit inkl grease nipple	2/car	ch-193799	each	110.94
273004-1	<b>R</b>		Ball joint upper, repair kit	2/car	ch-193799	each	87.17
273030	<b>R</b>	2:3	Ball joint upper, repair kit B20	2/car	ch 193800-	each	68.78
273038	<b>R</b>	2:4	Ball joint lower, repair kit	2/car		each	118.87
190084	<b>N</b>	2:5	Lubricator for ball joint upper	2/car	ch-193799	each	5.39
89369	<b>R</b>	2:42	Rubber protector for ball joint upper		ch-193799	each	6.66
654479	<b>N</b>	2:6	Washer for ball joint upper	2/car	ch-193799	each	4.75
940161		2:48	Screw	2/car		each	4.75
950353		2:49	Nut for 940161	2/car		each	4.75
671440		2:7	Wishbone upper	2/car	193800-	each	413.98
87033		2:8	Rubber bushing upper inner control arm	8-4/car	alla	each	7.92
653410	<b>RS</b>	2:9	Sleeve upper inner control arm	4/car		each	18.07
653409	<b>RS</b>	2:10	U-Bolt upper inner control arm incl. Nuts	4/car		each	18.07
120802	<b>R</b>	2:48	Washer	1/car	1957-70	each	1.90
950366		2:11	Locing nut	4/car	-7999	each	1.58
83107		2:12	Rubber cushion on upper control arm	2/car		each	26.94
654107/06/05		2:13	Adjuster shim upper wishbone		is: 0,15/0.50/1,00	each	3.17
658769/70	<b>N</b>	2:13	Adjuster shim upper wishbone		ckness: 3.00/6,00	each	4.44
671351/52		2:14	Wishbone lower	Left/Right		each	432.68
663675	<b>RS</b>	2:15	Rubber bushing lower inner control arm	4/car	B18/B20	each	28.85
192113		2:16	Bolt for lower inner control arm	2/car	8000-	each	134.72
950357		2:17	Mnut for bolt 192113	2/car	8000-	each	2.22
83108		2:18	Rubber cushion on lower conral arm	2/car		each	40.89
653330	<b>RS</b>	2:19	Console for 83108	2/car		each	36.14
672228		2:20	Lower anchorage for wishbone	2/car	B18/20	each	30.75
955523		2:21	Bolt unc 16mm (for 672228)	4/car		each	0.95
657839	<b>RS</b>	2:22	Rubber bushing anti sway bar	2/car		each	9.51
672217	<b>R</b>	2:23	Clamp for 657839	2/car		each	26.94
940115		2:24	Bolt for 672217	4/car		each	1.27
955950		2:25	Washer for above	4/car		each	0.41
654049	<b>RS</b>	2:26	Spacer tube anti sway bar	2/car	<b>S</b>	each	7.92
106841		2:27	Bolt anti sway bar	2/car	<b>S</b>	each	43.43
83126		2:28	Washer anti say bar	8/car	<b>S</b>	each	3.17
83125	<b>RS</b>	2:29	Bushing anti sway bar	8/car	<b>S</b>	each	3.17
955826	<b>R</b>	2:30	Nut	2/car	<b>S</b>	each	1.27
<b>273239</b>			<b>Mounting kit anti sway bar</b>	<b>2/car</b>		<b>each</b>	<b>66.88</b>
658596/97	<b>R</b>	2:31	Steering rod	LH/RH		each	107.46
190573	<b>N</b>	2:32	Castellated nut for 658431/2 original			each	8.24
907824	<b>RS</b>	2:33	Split pin (stainless)	2X20mm		each	0.40
658431/32	<b>R</b>	2:1	Tie rod ends	LH/RH		each	55.47
660979			Tie rod with ends			each	177.51
661288/89		2:45	Nut for tie rod	LH/RH		each	7.29
89369	<b>R</b>	2:42	Dust cover ball joint/steering rod		B16	each	6.66
670877	<b>N</b>	2:44	Dust cover ball joint/steering rod		B18	each	24.41
663709	<b>RS</b>	2:47	Bushing Idler arm	1962-66	2/car	each	32.02
671444	<b>RS</b>		Bushing Idler arm	1967-70	B18/B20	each	30.43
914170	<b>R</b>	2:46	Lubricator idler arm	1/car		each	3.80
<b>276521</b>	<b>RS</b>		<b>Idler arm repair kit</b>	<b>1962-66</b>	<b>B18</b>	<b>set</b>	<b>182.26</b>



<b>273160</b>	<b>R</b>	2:34 <b>Front wheel bearing kit</b>	<b>2/car</b>	1957-70	<b>each</b>	125.21
FT200		Bearing grease tube	200g		each	13.00
87465	<b>R</b>	2:35 Grease cap	2/car		each	20.60
87464		2:41 Thrust washer	2/car		each	12.68
88640	<b>R</b>	2:36 Dust seal front wheel	2/car	inner	each	20.92
153042		2:37 Nut for hub	2/bil		each	3.80
87699	<b>R</b>	2:38 Wheel nut	20/car		each	2.54
653184	<b>RS</b>	2:39 Front spring		1957-70	each	139.47
653184-1	<b>RS</b>	Sport spring kit (30 mm lowering)	1/car		set	623.50
653642		2:40 Rubber seal, on spacer washer	2/car		each	36.45
<b>Bushings rearaxel 120/130 sedan</b>						
87033		Bushing anti roll bar	2/car	1957-70	each	7.92
955565		Bolt for 87033	1/car	1957-70	each	4.75
950366		Nut for 955565	1/car	1957-70	each	1.58
120802	<b>R</b>	Washer for 955565	1/car	1957-70	each	1.90
667581		Torque rod	2/bil	-1966	each	198.75
667535		Washer for torque rod 667581	2/car	-1966	each	12.05
653168		Rubber cushion torque arm	4/car	-1966	each	14.26
662797	<b>R</b>	Rubber bushing front, torque arm	2/car	-1966	each	28.53
955568		Bolt for bushing 662797	2/car		each	6.97
950366		Nut for 955568	2/car		each	1.58
653442/43	<b>RS</b>	Support arm	Left/Right	-1966	each	188.60
653448	<b>RS</b>	Washer for support arm 653442/3	2/car	-1966	each	8.88
653461		Rubber cushion support arm	4/car	-1966	each	10.46
653460		Rubber cushion ENV rear axel	2/car	-1966	each	33.28
663972		Rubber cushion Spicer rear axel	2/car	-1966	each	33.28
672609	<b>RS</b>	Torque rod	2/car	67-70	each	327.76
672609-1	<b>RS</b>	Torque rod w/o bushings	2/car	67-70	each	253.58
662797	<b>R</b>	Rubber bushing front, torque arm	2/car	67-70	each	28.53
955569		Bolt for 662797	2/car	67-70	each	4.75
950356		Nut for 955569	2/car	67-70	each	1.58
675771		Rubber bushing rear, torque arm, Sport/GT	2/car	67-70	each	139.47
676914	<b>R</b>	Rubber bushing rear, torque arm, std	2/car	67-70	each	33.28
678887	<b>R</b>	Rubber bushing rear, torque arm Reforced	2/car	67-70	each	33.28
941858	<b>R</b>	Bolt & nut for 676914/678887	2/car	67-70	each	12.68
672616		Support arm	2/car	67-70	each	196.53
672226	<b>R</b>	Bushing torque rod chassi nbr -280978	4/car	67-70	each	28.53
678790	<b>R</b>	Bushing torque rod chassi nbr 280979-	4/car	67-70	each	28.53
955569		Bolt for 672226 & 678790	2/car	67-70	each	4.75
950356		Nut for 955569	2/car	67-70	each	1.58
940280		Washer	2/car	16500-	each	0.63
667539		Damperband	2/car	57-70	each	13.63
89818	<b>R</b>	Washer damper band stainless steel upper	2/car	57-70	each	12.05
671939	<b>R</b>	Washer damper band stainless steel lower	2/car	67-70	each	12.05
MSA10	<b>R</b>	Bolt set damper band	1/car	57-70	each	4.75

276479/80	<b>R</b>	Shock absorber kit (OIL)	Front/Rear	B18	each	83.05
276552/53		Shock absorber kit (OIL)	Front/Rear	123GT	each	127.43
276552/53G	<b>R</b>	Shock absorber kit (GAS)	Front/Rear	123GT	each	184.48
46-0282/293		Shock absorber kit	Front/Rear	2/4d	each	315.40
B46-1412		Shock absorber kit		220	each	364.53
670129	<b>RS</b>	Rubber bushing shock absorber	8/car		each	3.17
672214	<b>RS</b>	Rear Spring	2/car	1957-70	each	139.47
659154	<b>RS</b>	Spring seat	2/car	1957-70	each	123.62
659325		Rubber spacer upper spring seat	2/car	1957-70	each	33.28
667686		Rubber mount for rear spring seat	2/car	1957-70	each	33.28
83108		Rubber cushion at spring	2/car	1957-70	each	40.89
955783		Nut for 83108	2/car	1957-70	each	0.32
955922		Washer for 83108	2/car	1957-70	each	0.16
83107		Rubber cushion	1/car	1957-70	each	26.94
<b>Bushings rearaxle Amazon Combi</b>						
666905		Hollow rubber spring			each	174.34
660112		Rubber cushion			each	103.02
955587		Bolt för 660112	2/car		each	13.00
950367		Nut for 955587	2/car		each	2.54
662797	<b>R</b>	Rubber bushing support anti roll bar	2/car		each	28.53
955568		Bolt for 662797 & 672226/678790	2/car		each	4.75
950366		Nut for 955568			each	1.58
666416	<b>R</b>	Rubber bushing support anti roll bar upper	1/car		each	58.64
672226	<b>R</b>	Rubber bushing support arm	4/car	chnr - 63039	each	28.53
678790	<b>R</b>	Rubber bushing support arm	4/car	chnr 63039-	each	28.53
191812		Bolt for 672226 & 678790 front torque rod	1/car		each	4.75
660108		Damper band	2/car		each	13.63
89818	<b>R</b>	Washer damper band stainless steel	2/car	1957-70	each	12.05
MSA10	<b>R</b>	Bolt set damper band	1/car	1957-70	each	4.75
83107		Rubber cushion rear axel	1/car		each	26.94
660873	<b>R</b>	Spring seat rear spring upper/lower	2/car		each	82.42
659423	<b>RS</b>	Rear Spring	2/car	1962-69	each	150.57
669927	<b>RS</b>	Rear Spring reinforced	2/car	1962-69	each	168.00
669219	<b>R</b>	Shock absorber kit	2/car	220	each	86.54
669220		Rubber bushing shock absorber	4/car	220	each	11.73
660644/45	<b>R</b>	Support arm	LH/RH	220	each	523.02
<b>Pinion oil seal &amp; bearing Std &amp; 220</b>						
88391		Pinion oil seal	1/car	ENV	each	96.36
88391-1		Pinion oil seal	1/car	ENV	each	47.55
942905		Pinion oil seal	1/car	Spicer	each	39.62
181302		Outer/inner cup Pinion		All	each	64.35
181304		Outer/inner cup Pinion		All	each	58.64
181306		Outer/unner cup differential	M27		each	123.62
181662		Outer cup differential	M30	B20	each	61.81
114046	<b>R</b>	Oil seal rear axle	2/car	ENV	each	28.53
114275	<b>R</b>	Oil seal rear axle	2/car	Spicer	each	22.19
192550	<b>R</b>	Oil seal rear axle	2/car	ENV/Spicer	each	20.60
19553	<b>R</b>	Rear axle bearing	2/car		each	72.59
19577	<b>R</b>	Rear axle bearing	2/car		each	86.54
87670	<b>RS</b>	Gasket inspection lid rear axle	1/car	ENV	each	22.51
89254	<b>RS</b>	Gasket inspection lid rear axle	1/car	Spicer	each	15.53
955523		Bolt for rear lid	10/car	Spicer	each	0.95

1484	<b>R</b>	Rear axle bearing kit	2/car	ENV	set	129.96
1485	<b>R</b>	Rear axle bearing kit	2/car	Spicer	set	194.94
FT200		Bearing grease tube	200g		each	13.00
673788	<b>RS</b>	Gasket rear axle to brake shield	4/car		each	9.51
657579	<b>RS</b>	Gasket rear axle to brake shield	4/car	220	each	6.66
673791	<b>RS</b>	Oil seal metal cap + felt ring 19246	2/car		each	34.87
19246	<b>RS</b>	Felt ring rear axle	2/car		each	9.51
153031		Crown nur rear axle	2/car	Spicer	each	21.24
10506		Crown nut rear axle	2/car	ENV	each	7.92
654490		Wheel bolt	10/20/car		each	10.14
87699	<b>R</b>	Wheel nut	20/car		each	2.54
160553		Flat key	2/car		each	19.65
955676		Bolt to hold all the seals togheter	8/car		each	1.58
955848		Nut	8/car		each	0.63
940097		Washer	8/car		each	0.16
955950		Låsbricka	8/bil		each	0.41
10338		Workshop manual rear axle	Swe		each	45.01
<b>Steering box gaskets/idler arm parts</b>						
114271	<b>RS</b>	Lower O ring seal steering box	1/car	Also in 54929	each	22.51
678249	<b>RS</b>	Upper O ring seal steering box	1/car	Also in 54929	each	22.51
85627	<b>RS</b>	Brass bushing	2/car	Also in 54929	each	20.60
656704	<b>RS</b>	Gasket steering box	1/car	Also in 54929	each	4.12
955921	<b>R</b>	Spring washer	2/car	Also in 54929	each	0.24
<b>54929</b>	<b>RS</b>	<b>Kit for steering box</b>	<b>1/car</b>		<b>set</b>	<b>75.12</b>
190060	<b>N</b>	Lock ring side cover		ch-54392	each	0.79
656716/18	<b>N</b>	Shim/washer Th 2,20/2,30		ch-54392	each	6.34
659225		Lock ring side cover		ch 54394-	each	0.95
659220-23	<b>N</b>	Shim/washer Th 2,20/2,40/2,50		ch 54394-	each	8.56
671430		Locking washer steering nut	1/car	ch 279900-	each	3.17
654653	<b>RS</b>	Rubber spacer horn ring	1/car		each	11.09
659365	<b>RS</b>	Rubber spacer steering box	1/car		each	13.95
654011		Rubber foam collar steering column	1/car		each	8.24
669870		Hardy disc steering column	<b>B18</b>	-1967	each	39.62
673060		Bushing steering column	2/car	68-70 B20	each	74.49
9992263	<b>R</b>	Steering wheel removal tool		-1966	each	81.78
9992264	<b>R</b>	Steering wheel removal tool		1967-70	each	81.78

**GAS, CHOKELINKAGE**

660533	<b>R</b>	Gas pedal rubber	1/car		each	9.51
660549	<b>N</b>	Pedal plate incl 81803	1/car		each	31.70
81803	<b>R</b>	Rubbercushion under pedal	1/car		each	2.54
658660		Gas linkage bushing engine compartment	2mm	B16	each	6.34
663304		Gas linkage bushing engine compartment	4mm	B16	each	4.75
666143		Gas linkage bushing engine compartment	2/car	B18/B20	each	8.24
418963	<b>RS</b>	Return spring gas link		B18B/D/B20B	each	10.46
959088	<b>R</b>	Ball joint(with ball & locking brace)		RH 316/B18/B20	each	10.46
942837	<b>R</b>	Ball joint(with ball & locking brace)		LH 316/B18/B20	each	11.09
191203		Control rod		B18B/D	each	20.92
418449		Intermediary shaft	1961-66	B18B/D	each	107.14
661963		Shaft	1961-66	B18A	each	61.81
672221	<b>N</b>	Anchorage for shaft		B18	each	14.26
419335	<b>N</b>	Anchorage for shaft		B18	each	11.09
653218	<b>RS</b>	Gas pedal grommet	1/car	B16	each	21.24
663052		Dust cover	1/car	B18/B20	each	22.51
55192	<b>RS</b>	Choke wire, single carburettor		B16/B18/B20	each	35.82
55192-2	<b>RS</b>	Choke wire, double carburettor		B16/B18/B20	each	58.64
664425		Rubber grommet for choke wire (holds cables together)			each	11.41
418561		Cable retainer	2/car	B18	each	11.41
950003		Screw for reatiner	2/car	B18	each	1.58
666622		Clamp choke arm			each	1.58
94641		Locking washer			each	1.58
419452		Clip for cable retainer			each	9.51
71676	<b>N</b>	Flexible connection		B16B	each	23.77
106837	<b>N</b>	Screw for 71676		B16B	each	0.63
71679	<b>N</b>	Wire stirrup		B16	each	11.09
21882	<b>N</b>	Retainer for choke wire (includes on 55192 & 55192-2)			each	7.92

<b>Windshield wipers</b>						
673190		Wiper blade			each	43.74
673189	<b>R</b>	Wiper arm			each	49.77
660397	<b>RS</b>	Gasket wiper axle	2/car		each	5.07
190543		Washer between 660397 & 660379	2/car		each	0.32
660379	<b>RS</b>	Rubber gasket wiper axle between 190543 & 190735	2/car		each	2.54
190735		Retainer chrome	2/car		each	10.46
658164		Hub for wiper arm Autolite/SWF	2/car	6mm	each	10.46
671911		Hub for wiper arm Electrolux	2/car	8mm	each	12.36
661906	<b>N</b>	Carbon brush for SWF	2/car		each	12.68
661907	<b>N</b>	Spring for carbon brush SWF	2/car		each	3.17
1698261		Washer nozzle	1/car	1966	each	52.30
672631		Washer nozzle	1/car	1967-	each	25.68
665334	<b>RS</b>	Rubber washer for washer nozzle 672631	2/car	1967-	each	0.63
40136	<b>RS</b>	Rubber grommet	ch-383549	-1965	each	3.80
191472		Hose between washer & elbow & pumpthreeway union	B16	"Rubber"	meter	6.66
659250		Hose between pumpthreeway union & washer nozzle	B16	"Rubber"	meter	6.66
192580		Hose between pumpthreeway union & washer nozzle	B18	"Plastici"	meter	3.17
192581		Hose between washer pumpthreeway union	B18	"Plastic"	meter	3.17
659248		Threeway union		-1965	each	5.39
190405	<b>N</b>	Clamp for plastic hose		1967-1970	each	3.17
661324		Washer pump	B18	1961-1966	each	249.78
666977		Water reservoir " round type"		1961-1966	each	57.06
663641		Elbow nipple for 666977		1961-1966	each	3.17
667352		Non return valve for 666977		1961-1966	each	8.88
688400		Washer pump		1967-1970	each	204.14
671723		Water reservoir		1967-1970	each	106.19
671723-1		Water reservoir	Reproduction	1967-1970	each	74.49
<b>Hubcaps &amp; Tire</b>						
654108	<b>RS</b>	Hubcap red "V" center		1957-64	each	182.26
190	<b>RS</b>	Decal for hub cap 654108			each	9.51
88754	<b>R</b>	Trim ring	15"	1957-1964	each	110.94
579810	<b>R</b>	Tire BFG Radial 165X15"	3/4" white wall		each	489.74
579811	<b>R</b>	Tire BFG Radial 165X15"	2 1/4" white wall		each	554.72
<b>WINDOW GLASS</b>						
656843	<b>RS</b>	Front windshield	clear glss		each	387.03
671889	<b>RS</b>	Front windshield	green tint		each	343.29
673713	<b>RS</b>	Reae screen heated	green tint	AZ std	each	502.42
661984	<b>RS</b>	Reae screen heated	green tint	AZ combi	each	517.63
653780		Ventilation window with chrome rhs	clear glss		each	134.72
657475		Ventilation window without chrome	clear glss		each	47.55
657476		Doorglass	clear glss	120/220	each	95.09
655179		Doorglass	clear glss	130	each	133.13

**Call for details on windshield shipping.**

<b>Bumpers &amp; chrome parts</b>									
673690/91		Front bumper corner section		LH/RH	each	396.23			
653294	<b>RS</b>	Front bumper middle section			each	554.72			
653606/07	<b>RS</b>	Front bumper overrider		LH/RH	each	245.66			
657133/13319	<b>RS</b>	Rubber seal inside of overrider			m	9.51			
673694/95		Rear bumper corner section		LH/RH	each	396.23			
653305		Rear bumper middle section			each	523.02			
657053	<b>RS</b>	Rear bumper overrider 120/130	2/car		each	245.66			
666265	<b>RS</b>	Bumper horn Az combi rear	2/car		each	252.95			
666262	<b>RS</b>	Rubber pad rear overrider 220	2/car	<b>ORIGINAL</b>	each	16.48			
671246	<b>RS</b>	Rubber guard for overrider	4/car	front/rear	each	32.97			
276422	<b>RS</b>	Mounting kit bumper, half kit with washer	4/car	front/rear	each	36.77			
MS A12	<b>RS</b>	Mounting kit bumper, half kit no washer	4/car	front/rear	each	22.51			
653572	<b>RS</b>	Washer for bumper to support arm	8/car		each	8.24			
190373	<b>RS</b>	Bumper bolt chromed	8/car		each	10.78			
955827	<b>RS</b>	Nut for 190373 UNC	8/car		each	1.27			
950354		Nut with locking for bolt 190373	8/car		each	1.58			
661050	<b>RS</b>	Hood/bonnet trim (polished stainless steel)		1957-68	each	163.25			
668971	<b>R</b>	Trunk/boot lid handle, chromed		1964-70	each	342.97			
<b>MILD STEEL EXHAUST SYSTEM AMAZON</b>									
CV3K	<b>RS</b>	Exhaust system (Please state chassis number)	120/130	B16 1957-61	set	546.79			
CV3K1	<b>RS</b>	Exhaust system	120/130	1962-66	set	546.79			
CV3K2	<b>RS</b>	Exhaust system	120/130	1967-70	set	568.98			
CV3K3	<b>RS</b>	Exhaust system	220	1962-66	set	568.98			
CV3K4	<b>RS</b>	Exhaust system	220	1967-70	set	568.98			
025K	<b>RS</b>	Exhaust system	SPORT	2"	set	578.49			
025K1	<b>RS</b>	Exhaust system (Single pipe)	SPORT	2"	set	586.42			
037E	<b>RS</b>	Exhaust 2" 4 to 1 header	SPORT	1967-70	set	604.17			
037AD	<b>RS</b>	Adapter for 037E	SPORT	1967-70	each	57.06			
418405	<b>N</b>	Exhaust manifold, early models	B18 Sport		each	420.63			
418545	<b>N</b>	Exhaust manifold	-1965	B18	each	324.91			
CV3K1-1	<b>RS</b>	Exhaust system	120/130	1962-66	set	324.91			
CV3K2-1	<b>RS</b>	Exhaust system	120/130	1967-70	set	375.62			
CV3K3-1	<b>RS</b>	Exhaust system	220	1962-66	set	421.27			
CV3K4-1	<b>RS</b>	Exhaust system	220	1967-70	set	453.92			
657784	<b>N</b>	Clamp for downpipe	early B16		st	3.17			
663794		Bracket front exhaust pipe		1961-66	each	30.11			
192040		Clamp for bracket 663794			each	9.19			
666208		Tailpipe rubber cushion	black	1961-62	st	12.68			
666133		Clamp for 666208		1961-62	each	12.68			
667503		Tailpipe suspension rubber		1962-70	each	8.88			
666407		Rubber ring for silencer		1961-70	each	11.41			
273103		Mounting kit for rear exhaust system	Ch 89777-	1962-70	each	25.04			

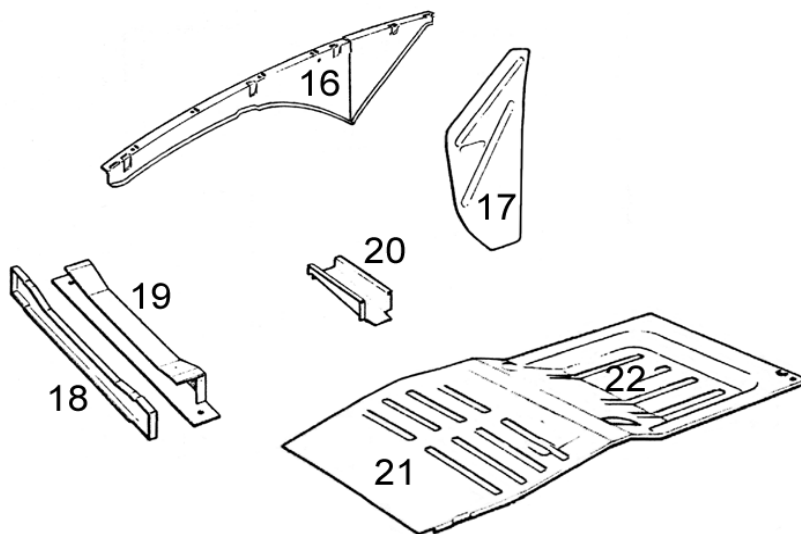
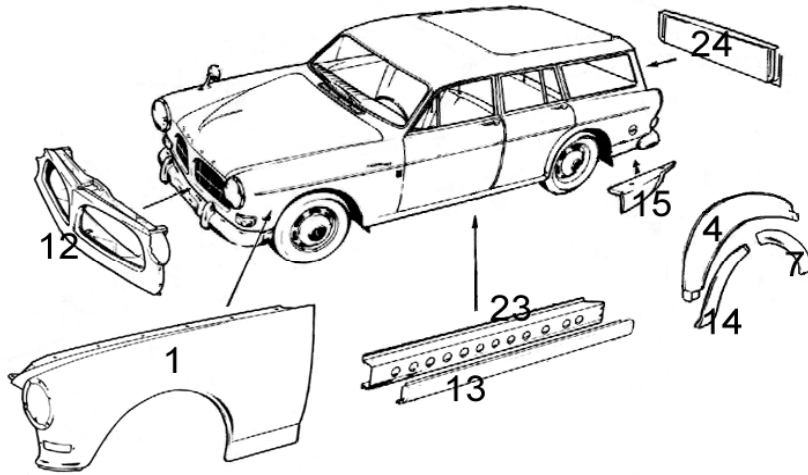
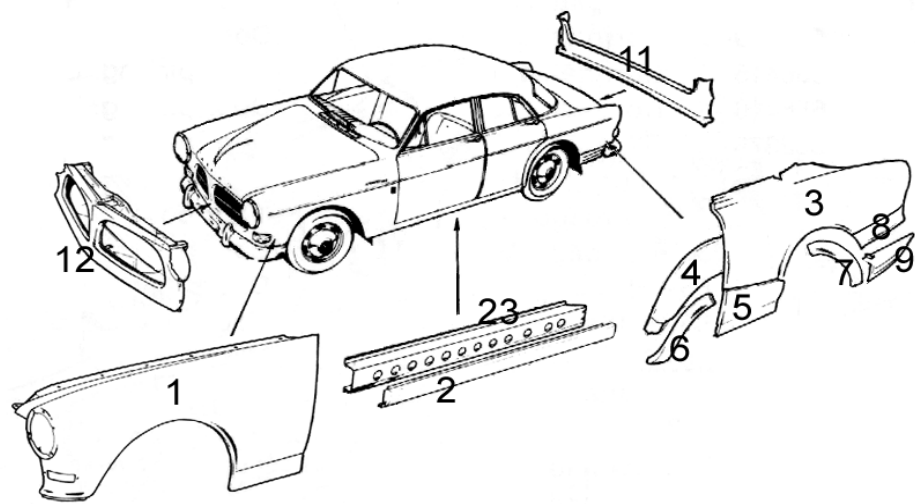


Fig 3: Sheet Metal Parts and Fenders Amazon

**Sheet metal panel and fenders**

661924/25		3:1	Front fender/wing	LH/RH		each	1338.61
276465	<b>RS</b>		Mounting kit front fender incl. rubber seal	2/car		each	46.60
661987	<b>RS</b>		Rubber moulding at wing-B-post	2/car		each	21.87
255	<b>RS</b>		Sealer front wing	2/car		each	11.09
235			Front wheel arch liner, aluminum			pair	418.42
661878	<b>N</b>		Joint section rear wing, LH	RH		each	25.36
663946		3:12	Front section			each	1472.06
MSA8	<b>RS</b>		Mounting kit front section		-1964	each	52.30
273137	<b>RS</b>		Mounting kit front section		1965-	each	45.33
653015		3:11	Outer panel below trunk			each	420.95
662645			Metal moulding for door rubber seal			meter	15.85
653687	<b>RS</b>	3:20	Cross member front floor	1.5mm metal		each	69.74
654067		3:19	Cross member front			each	140.74
653309		3:18	Cover for cross member front			each	118.87
658860/61	<b>RS</b>	3:21	Front floor section left or right	LH/RH		each	103.65
658860/61P	<b>RS</b>	3:21	Front floor section left or right, pressed	LH/RH		each	151.52
658862/63	<b>RS</b>	3:22	Rear floor section (flat section w.reinforcement)	LH/RH		each	92.88
658862/63P	<b>RS</b>	3:22	Rear floor section pressed section	LH/RH		each	398.76
001	<b>RS</b>		Sound deadning sheet			m2	41.21
657633/34	<b>RS</b>	3:9	Lower section rear fender/wing sedan (L/R)	LH/RH		each	174.34
662549/50		3:15	Lower section rear fender L/R 220	LH/RH		each	264.05
228/229	<b>RS</b>	3:8	Repair panel rear wing, rear	LH/RH		each	110.94
660792	<b>RS</b>		Sheet on rear boot lid	220		each	109.36
657528	<b>RS</b>		Side section spare wheel container			each	121.40
653618	<b>R</b>		Bracket spare wheel container			each	248.83
653270		3:4	Wheel housing outer	RH		each	490.05
615006/07	<b>RS</b>	3:16	Front wing reinforcement member	LH/RH		each	145.81
615006/07-1	<b>RS</b>		120 wing support upper	LH/RH		each	52.30
615006/07-2	<b>RS</b>		120 wing support box LH	LH/RH		each	52.30
654112/13			Reinforcement plate Az wing	LH/RH		each	102.07
653418/19	<b>RS</b>	3:17	Cowl side repair panel (LH/RH)	LH/RH		each	79.56
661600B	<b>R</b>		Repair plate X-member			each	
902016-1/16-2			Door bottom repair panel	LH/RH	4D	each	91.61
653018	<b>RS</b>	3:13	Rocker panel 4-door	Left side only		each	79.25
657048/49		3:2	Rocker panel 2-door	LH/RH		each	93.51
902006/07	<b>R</b>	3:23	Rocker panel "inner sill"	LH/RH		each	212.38
672073/74	<b>RS</b>	3:5	Side panel front of rear wheel 2-door	LH/RH		each	67.20
653136/37	<b>RS</b>	3:6	Rear wheel arch front repair	LH/RH		each	52.30
653136		3:14	Rear wheel arch front repair	LH		each	114.43
902059/60	<b>RS</b>	3:7	Rear wheel arch, rear repair	LH/RH		each	50.72
.005			Chassie black paint, semi-gloss			litre	54.84
.008			Clear coat for unpainted chassie parts			litre	47.55
14939	<b>R</b>		Screw stainless for sill plates			each	1.58



**MUD FLAPS, BRACKETS & MOUNTING KITS**

657490	<b>RS</b>	Front mudflap	LH/RH		pair	66.57
655469/70	<b>RS</b>	Front bracket stainless steel	LH/RH		pair	43.74
MSA2	<b>RS</b>	Mounting kit front mudflap and bracket		1/car	set	8.56
670666/67		Rear mudflap (Volvo logo)	LH/RH	1957-64	each	46.91
670894/95		Rear mudflap (Volvo logo)	LH/RH	1965-70	each	31.38
655598/99	<b>RS</b>	Rear mudflap plate	120/130		pair	57.06
MSA3	<b>RS</b>	Mounting kit rear mudflap and plate		1/car	set	6.66
663546		Rear mudflap plate	220	LH	each	142.64
10175/76		Workshop manual body	Swedish/ENG		each	45.01
<b>Additional accessories</b>						
277173	<b>RS</b>	Basket for drive shaft tunnel			each	70.05
277249	<b>RS</b>	Basket for trunk/boot			each	92.88
281056	<b>RS</b>	Fog light covers white with Volvo logo in blue			pair	60.23
672618	<b>RS</b>	Extra light, GT, brackets (stainless)	123GT		pair	69.10
279731	<b>RS</b>	Sparewheel cover with Volvo logo, red, blue or brown			each	92.88
945/46/47		Workshop protection cover (red/brown)			each	48.50
419251	<b>RS</b>	Divider engine	B18D		each	52.30
277178	<b>RS</b>	Extension exhaust			each	72.59
274013	<b>R</b>	Safety belt	3 point	rear seat	each	270.07
273341	<b>R</b>	Safety belt	3 point	front seat	each	270.07
277481	<b>RS</b>	Tow bar	Sedan		each	705.28
277483	<b>RS</b>	Tow bar	Combi		each	705.28
667208		Map lamp			each	87.17
<b>LITERATURE</b>						
10054-10939	<b>RS</b>	Service manuals clutch.body.steering, engine mm Catalogue fast moving parts 1971 (parts reference) For models PV/Amazon/140. Many illustrations.	Sw/Ing/Ger.		each	45.01
10935Eng		Repairbook Haynes	English	1961-70	each	76.08
<b>10940</b>		<b>CD-Rom Parts Catalogue B16/B18 &amp; B20</b>			<b>each</b>	<b>63.40</b>

**TRIM MOULDINGS**

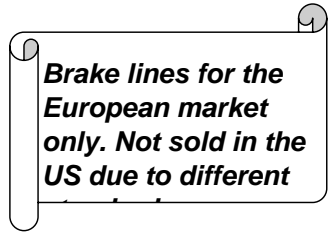
654299	<b>R</b>	Dashboard	1/car	all	each	114.43
663973	<b>R</b>	Anchorage for trim moulding	6/car	all	each	1.58
657263		Front fender	2/car		each	94.14
660090/91		Rear fender 2 door model left	LH/RH	2d	each	124.26
657264		Rear door	2/car	4d	each	94.14
662656		Rear fender	LH/RH	220	each	107.77
659205		Door	2/car	2d	each	94.14
657265		Front door	2/car	4d	each	94.14
659287/88		Door upper front	LH/RH	2d 1967-	each	128.69
659290/91		Rear door upper	LH/RH	2d 1967-	each	128.69
657266		Rear door	2/car	4d	each	94.14
655261/62		Door panel front/rear (inside)	fron/rear		each	
654384/85		Windshield left side	LH/RH	2d&4d	each	196.85
654386		Joint piece windshield chrome trim	2/car	2d&4d	each	22.51
659994/95		Drip rail moulding forward	2/car	2d&4d	each	60.54
654297/98		Drip rail moulding rear	2/car	2d&4d	each	102.70
662657	<b>R</b>	Drip rail moulding rear, estate	2/car	220	each	120.45
657298		Joint piece	2/car	2d&4d	each	23.46
658850	<b>RS</b>	Clips trim	40/car	2d&4d	each	1.27
654585	<b>RS</b>	Clip for trim 654391	4/car		each	4.75
MM4		Nut for 654585	4/car		each	0.16
192458		Mounting clips upper door trim	-1969	26/car	each	2.22
659654	<b>RS</b>	Rivet for clip 192458	-1969	26/car	each	0.48
679885	<b>RS</b>	Mounting clips upper door trim	1969-70	26/car	each	0.79
659996		Mounting clips upper door trim	4 doors	12/car	each	6.34
<b>EMBLEM</b>						
672490	<b>R</b>	123 GT side emblem	2/car		each	85.90
672493	<b>R</b>	123 GT trunk lid emblem	1/car		each	96.05
661054	<b>R</b>	Early style "VOLVO 121" emblem	2/car	-1964	each	114.11
661055	<b>R</b>	Early style "VOLVO 122S" emblem	2/car	-1964	each	114.11
670677	<b>R</b>	122 S fender emblem	2/car	1965-70	each	82.42
670678	<b>R</b>	121 side emblem	2/car	1965-70	each	84.95
663558	<b>R</b>	Early style "overdrive" emblem	chnr -84600	-1964	each	87.49
670566	<b>R</b>	Later style "overdrive" emblem	chnr 84601-	1965-	each	73.54
82660		Clips for letter set	10/car		each	0.95
667184	<b>R</b>	B 18 grille emblem	1/car	1961-64	each	97.63
673702	<b>R</b>	B20 grille emblem	1/car		each	95.09
666444	<b>R</b>	B 18 trunk emblem	1/car	1961-64	each	87.49
670900	<b>R</b>	VOLVO emblem circle with arrow for grill 1965-1968	1/car	1965-68	each	87.49
672328		Clips to emblem in grille	2/car	1967-68	each	1.90
276377	<b>R</b>	V-O-L-V-O hood letters gold with clips	1/car	-1966	each	107.77
276375	<b>R</b>	V-O-L-V-O hood letters silver with clips	1/car	1967-	each	107.77
663060	<b>R</b>	Volvo emblem trunk handle newer model	1/car	1964-	each	55.47

<b>Brake components</b>					
87695-1	<b>R</b>	Brake hose	rear	1957-68	each 36.77
670201	<b>R</b>	Brake hose	rear	1968-70	each 36.77
653820	<b>R</b>	Brake hose	front	1959-64	each 36.77
671592	<b>R</b>	Brake hose	front	1962-65	each 36.77
671799	<b>R</b>	Brake hose	front	1965-70	each 36.77
80939	<b>R</b>	Locking clips for brake hose	3/car		each 5.07
955858	<b>R</b>	Nut for brake hose	671799	1965-70	each 1.58
955950		Locking washer for brake hose	671799	1965-70	each 0.41
18651		Copper washer for brake hose rear			each 1.27
275800	<b>R</b>	Brake lining kit rear	ch-15239	1957-58	each 133.77
271812	<b>R</b>	Brake shoes front ch 15239-	front	1959-64	set 112.53
271813	<b>R</b>	Brake shoes rear ch 15239-	rear	1959-65	set 91.61
271814	<b>R</b>	Brake shoes rear	rear	1965-70	set 91.61
273171	<b>RS</b>	Mounting kit brake shoes with drums in front	front/rear	1959-64	each 17.43
273171SKB	<b>RS</b>	Mounting kit brake shoes with discs in front	rear	1962-70	each 17.43
Q503	<b>RS</b>	Mounting kit brake shoes with return springs	rear	1965-68	each 35.82
Q504	<b>RS</b>	Mounting kit brake shoes with return springs	rear	1969-70	each 35.82
669916		Guide washer	rear	1958-64	each 8.24
88830		Lock washer/clip for handbrake lever on rear shoe	rear	1958-64	each 5.71
668667		Brake adjuster	rear	2/bil	each 93.51
<b>25290</b>	<b>RS</b>	<b>Brake return spring kit</b>	<b>rear</b>	<b>1959-64</b>	<b>set</b> 41.21
667160	<b>RS</b>	Upper brake return spring S	4/axle	1959-64	each 10.78
659668	<b>RS</b>	Lower brake return spring S	2/axle	1959-64	each 10.78
659673	<b>R</b>	Wheel cylinder front ch 15238-	front	1959-65	each 101.43
87451	<b>R</b>	Wheel cylinder ch-15239	rear	1957-58	each 129.01
659683	<b>R</b>	Wheel cylinder ch 15239-78484	rear	1959-61	each 101.43
667166	<b>R</b>	Wheel cylinder ch 78485-	rear	1962-64	each 99.22
671216	<b>R</b>	Wheel cylinder 1" (220-1968 122S 62-66)	rear	1965-67	each 52.30
670404	<b>R</b>	Wheel cylinder 7/8" (122s 67-68)	rear	1968	each 68.47
673731	<b>R</b>	Wheel cylinder	rear	1969-70	each 68.47
659676		Pushrod on wheelcylinder up to 667166	2/car		each 11.09
K101	<b>R</b>	Repair kit wheel cylinder	front/rear	1957-58	each 25.36
273022	<b>R</b>	Repair kit wheel cylinder	front	1959-65	each 25.36
273023	<b>R</b>	Repair kit wheel cylinder	rear	1959-61	each 39.94
273024	<b>R</b>	Repair kit wheel cylinder	rear	1962-65	each 29.80
276573	<b>R</b>	Repair kit wheel cylinder	rear	1965-67	each 25.68
87462	<b>R</b>	Bleeder valve			each 6.34
656456	<b>R</b>	Rubber bush for air nipple 87462			each 1.58
<b>Calipers &amp; repair kit</b>					
670724/25	<b>R</b>	Brake caliper left Az 1 circuit	LH/RH	1965-68	each 293.21
668905		Bolt for caliper 670724/25	4/car	1965-68	each 3.17
<b>525</b>	<b>R</b>	<b>Repair kit single-circuit (pistons, bleeder valve &amp; gaskets)</b>	<b>2/car</b>		each 151.52
669208/09	<b>N</b>	Bypass for caliper	LH/RH		each 11.09
684432/33	<b>R</b>	Brake caliper left Az 2 circuit	LH/RH	1969-70	each 213.01
943506	<b>R</b>	Bolt for caliper 684432/33	4/car	1969-70	each 3.17
<b>526</b>	<b>R</b>	<b>Repair kit double-circuit (pistons, bleeder valve &amp; gaskets)</b>	<b>2/car</b>	<b>1969-70</b>	<b>each</b> 156.91
STOK		<b>Note : exchange system - core charge applies on calipers</b>			each 126.79
276489	<b>R</b>	Repair kit brake caliper 1 circuit	2/car	1965-68	each 38.67
273071	<b>R</b>	Repair kit brake caliper 2 circuit	2/car	1969-70	each 38.67
678155	<b>R</b>	Bleeder valve			each 6.97
656456	<b>R</b>	Rubber bush for air nipple 678155			each 1.58

270987	N	Brake pads front B18	front	62-68	set	72.91
271739	R	Brake pads front B20	front	69-70	set	60.54
272691	R	Mounting kits brake pads	front	62-70	set	11.41
VH44	R	Brake servo, replacement	"Lockhead"	B18	each	917.98
276556	R	Repair kit vacuum servo "Girling"	1962-68	B18	each	240.91
<b>Brake drums &amp; discs</b>						
673797	R	Brake drum rear	rear	-1970	each	369.28
666525	R	Disc Including Sport 63 1/2-64	front	1965-70	each	378.79
STTR		<b>Note : exchange system - core charge</b>			each	87.17
673797-1		Brake drums rear VOLVO ORIGINAL	rear		each	478.64
666525-1		Disc Volvo original	front		each	535.06
9991791	R	Brake drum puller			each	229.81
654490		Wheel nut for drums			each	10.14
657874	R	Wheel nut for discs	20/car		each	14.26
87699	R	Wheel nut	20/car		each	2.54
670704/05		Front brake backing plate early 1965	LH/RH	1-circuit	each	148.03
668333/34		Front brake backing plate	LH/RH	1-circuit	each	162.29
673773/74		Front brake backing plate	LH/RH	2-circuit	each	162.61
659672	R	Rubber plug brake adjusting hole	set of 4		each	10.14
<b>Master cylinder &amp; repair kit</b>						
662186	R	Master cylinder		1957-68	each	285.60
1212406	R	Master cylinder		1969-70	each	270.70
276405	R	Repair kit master cylinder to ch.# 64859		1957-61	each	28.53
276461	R	Repair kit master cylinder		1962-68	each	38.67
273226	R	Repair kit master cylinder ATE 2 circuit (for 1212406)		1969-70	each	28.21
<b>Parking brake</b>						
658842	R	Hand brake cable	2/car	1959-70	each	41.21
80969		Clamp for hand brake cable to body			each	6.02
950373		Nut for 80969			each	0.95
658843/44	R	Clamp handbrake cable		LH/RH	each	24.41
656785	N	Rubber retainer for hand brake cable	2/car	ch 535-54399	each	11.09
661428		Rubber retainer for hand brake cable	2/car	ch 54400-	each	14.90
656758	N	Locking spring for cable	2/car	ch 535-15238	each	3.17
653608	R	Rubber seal hand brake axle	1/car		each	35.50
656801	N	Anchorage	2/car	535-	each	3.17
190848	N	Rivet for lever	1/car		each	2.54
653465	N	Push rod handbrake lever	1/car	B16/B18	each	12.68
660651		Hand brake lever ring	1/car		each	12.36
191030	R	Stop screw for handbrake lever ring	1/car	insex	each	1.58
672425	R	Brake light contact		B16/B18	each	21.24
679364	R	Brake light contact		B20	each	24.09
87696	R	3-way joint rear axle			each	61.81
653777	N	5-way joint rear axle	1962-68	B18	each	61.81
273090	R	Repair kit red. Valve (excls.pistons)		B20	each	52.30
230		Silicone brake fluid			liter	83.05
237		Plastilube grease for brakes	75 ml	All	each	21.87
239		Copper grease	500 gr	All	each	43.74

**BRAKE LININGS (CUPPER)**

654554	<b>RS</b>	Brake pipe LH front (drum)		57-65	each	19.34
654555	<b>RS</b>	Brake pipe RH front (drum)		57-65	each	20.92
654556	<b>RS</b>	Brake pipe front to rear		57-65	each	37.09
654557	<b>RS</b>	Brake pipe LH rear		57-65	each	16.48
654558	<b>RS</b>	Brake pipe RH rear		57-65	each	22.51
672337	<b>RS</b>	Servo to union		62-68	each	18.38
672338	<b>RS</b>	Master brake cylinder to servo		62-68	each	19.34
667734	<b>RS</b>	Master brake cylinder to union		62-68	each	17.12
663732	<b>RS</b>	Front LH - early 1965		62-65	each	20.92
663733	<b>RS</b>	Front RH - early 1965		62-65	each	20.92
670744	<b>RS</b>	Front RH/LH outer - early 1965	2/car	62-65	each	13.63
671810	<b>RS</b>	Front LH - late 1965-68		65-68	each	20.92
671811	<b>RS</b>	Front RH - late 1965-68		65-68	each	22.51
671808	<b>RS</b>	Front RH/LH outer - late 1965-68		65-68	each	17.12
667398	<b>RS</b>	Brake pipe front to rear valve		62-68	each	34.55
672049	<b>RS</b>	Brake pipe rear valve to rear hose		62-68	each	14.90
672051	<b>RS</b>	Brake pipe LH rear		62-68	each	17.12
672052	<b>RS</b>	Brake pipe RH rear		62-68	each	21.24
673824	<b>RS</b>	Master brake cylinder to union	2/car	69-70	each	14.90
673810	<b>RS</b>	Brake lining between unions	2/car	69-70	each	17.12
673814	<b>RS</b>	Brake pipe LH front	2/car	69-70	each	17.12
673815	<b>RS</b>	Brake pipe RH front	1/car	69-70	each	22.51
673817	<b>RS</b>	Brake pipe RH front	1/car	69-70	each	23.14
673818	<b>RS</b>	Front RH/LH outer	2/car	69-70	each	17.12
673819	<b>RS</b>	Front RH/LH outer	2/car	69-70	each	17.12
673812	<b>RS</b>	Brake pipe front to rear valve LH	1/car	69-70	each	38.35
673813	<b>RS</b>	Brake pipe front to rear valve RH	1/car	69-70	each	36.14
673822	<b>RS</b>	Brake pipe LH rear	1/car	69-70	each	19.34
673823	<b>RS</b>	Brake pipe RH rear	1/car	69-70	each	22.51
18335		Clamp "single" for brake line 663467		3/16"	each	7.29
18376		Clamp "double" for brake line/ fuel pipe		5/16"	each	3.80
121572		Clamp "double" for brake line		1/4" resp 3/8"	each	8.24
18355	<b>RS</b>	Brake lining clamp	3/car	57-70	each	7.29
954327		Brake lining screw union (2-circ)	2/car	68-70	each	45.96



### HYDRAULIC CLUTCH COMPONENTS

659699	<b>R</b>	Clutch disc		B16	set	215.55
651961	<b>R</b>	Clutch kit including bearing		B16	set	475.47
<b>STKO</b>		<b>Refundable core charge applies to 651961</b>			<b>each</b>	126.79
<b>STLA</b>		<b>Refundable core charge applies to 659699</b>			<b>each</b>	79.25
275907	<b>N</b>	Clutch lining kit Borg&Beck	Borg&Beck	B18	each	85.58
418638	<b>N</b>	Clutch kit w/o bearing (3 arm)	Borg&Beck	early B18	each	355.02
419426	<b>N</b>	Clutch kit w/o bearing	Borg&Beck	late B18B	each	396.23
662783	<b>N</b>	Preassure plate	Borg&Beck	early B18	each	158.49
651990	<b>N</b>	Clutch spring	Borg&Beck	early B18	each	12.68
87962	<b>N</b>		Borg&Beck	early B18	each	11.09
87963	<b>N</b>	Spring	Borg&Beck	early B18	each	7.92
87965	<b>N</b>	Bolt	Borg&Beck	early B18	each	14.26
271263	<b>R</b>	Clutch kit w/o bearing		B18/B20	set	355.02
940135		Screw for mounting of 271263	6/car		each	1.27
181428		Clutch release bearing 32mm	-1966	B16/B18	each	110.94
672122	<b>R</b>	Clutch release bearing 43mm	1967-	B18/B20	each	121.40
380569	<b>R</b>	Clutch release bearing 36,5mm		B18/B20	each	64.35
666176	<b>RS</b>	Rubber pad clutch pedal	2/bil		each	12.68
663994		Rubber protector clutch fork B18	1/car	B18	each	44.38
677465		Rubber protector clutch fork B20	1/car	B20	each	27.89
1212189		Clutch fork	1/car	B20	each	79.25
684770	<b>R</b>	Clutch cable	B20	1968-71	each	55.47
653941		Return spring withdrawal fork & control cylinder	Ch 9442-	B16/B18	each	14.26
677531		Return spring clutch pedal	1/car	B20	each	24.72
653094	<b>R</b>	Clutch main cylinder		1957-68	each	182.26
656479		Filler cap (aluminium)		1957-68	each	34.87
18651		Copper washer for clutch main cylinder			each	1.27
190784	<b>N</b>	Screw union between main cylinder & pressure line			each	11.09
940135		Screw for main cylinder	2/car		each	1.27
672917	<b>N</b>	Yoke to clutch main cylinder			each	19.65
654493	<b>N</b>	Clutch hose (not chnr 2095-2097)	Ch-2176	3/16" line	each	79.25
656877		Clutch hose (+ chnr 2095-2097)	ch 2177-	57-68	each	61.81
80939	<b>R</b>	Locking clips for clutch hose	1/car		each	5.07
667079		Pipe between clutch hose & 653094		B16/B18	each	93.51
669782		Clutch slave cylinder	3/4"	-1966	each	334.73
673030		Clutch slave cylinder	13/16"	1967-68	each	324.91
673030-1	<b>R</b>	Clutch slave cylinder	Reproduction	1967-68	each	212.38
276513	<b>R</b>	Repair kit main operating clutch cylinder		57-68	set	32.65
276451	<b>R</b>	Repair kit slave cylinder clutch	3/4"	57-66	set	19.65
276572	<b>R</b>	Repair kit slave cylinder clutch	13/16"	67-68	set	24.09
653093	<b>N</b>	Push rod	1/car	B16	each	52.30
673032		Push rod including 673034 & 673035	1/car	B18	each	50.08
659048		Bushing on cluch pedal	2/car	B16/B18	each	5.39
653925	<b>N</b>	Return spring clutch pedal	1/car	B16	each	6.34
661791	<b>N</b>	Spring on withdrawal fork	1/car	B16	each	6.34
14503	<b>N</b>	Cotter pin bolt on withdrawal fork	-9441	B16	each	3.80
10054/55		Workshop manual clutch	Swe/Ing		each	45.01

**MOUNTING KITS**

MS A1	<b>RS</b>	Screw kit kick panel	1/car		kit	0.32
MS A2	<b>RS</b>	Screw kit front mud flab and bracket	1/car		kit	8.56
MS A3	<b>RS</b>	Screw kit rear mud flap and bracket	1/car		kit	6.66
MS A5	<b>RS</b>	Screw kit radiator grille	1/car	65-66	kit	6.66
MS A6	<b>RS</b>	Screw kit radiator grille	1/car	67-70	kit	6.66
MS A7	<b>RS</b>	Screw tailgate handle 220			each	0.32
MS A10	<b>RS</b>	Screw kit damper band	1/car		kit	4.75
MS A11B	<b>RS</b>	Mounting kit front wing w/o rubber seal	2/car		kit	25.99
MS A12	<b>RS</b>	Mounting kit bumper excl. Washer	4/car		kit	22.51
MS A13	<b>RS</b>	Screws for headlining retainer	1/car		kit	11.09
MS A14	<b>RS</b>	Screw kit fuel tank	1/car		kit	4.12
MSA16	<b>RS</b>	Screw kit headlamp bowl to wing	1/car		kit	5.07
MSA17	<b>RS</b>	Screw kit for indicator rim incl speed nut	1/car		kit	2.54
MSA18	<b>RS</b>	Screw kit for rear reflector	1/car		kit	0.79
MSA21	<b>RS</b>	Screw kit for upper moulding (windscreen)	1/car	chromed	st	15.85
MSA21B	<b>RS</b>	Screw kit for upper moulding (windscreen)	1/car	Black	st	15.85
MS27	<b>RS</b>	Screw kit for inner rim to inner bowl	1/car		kit	1.90
MS28	<b>RS</b>	Skrew kit for foot dipper switch	1/car		kit	8.56
MS29	<b>RS</b>	Screw kit for air filter 73606	1/car		kit	8.56
MS30	<b>RS</b>	Screw kit for sunviser bracket	1/car	chromed	each	3.49

		<b>DECALS</b>			
105	<b>RS</b>	B16 Valve cover decal		each	11.41
106	<b>RS</b>	B18 Radiator decal		each	6.34
107	<b>RS</b>	B14/16 Bosch 6 Volt coil decal		each	6.34
108	<b>RS</b>	B18 Bosch 12 Volt coil decal		each	6.34
109	<b>RS</b>	B14/B16 Sport air filter decal		each	7.92
110	<b>RS</b>	B18 Sport air filter decal		each	7.92
111	<b>RS</b>	Servicedecal Mobil		each	11.41
112	<b>RS</b>	Servicedekal for oilfilter		each	11.41
114	<b>RS</b>	Volvo original car radiolock (Sw.text)		each	11.41
115	<b>RS</b>	Volvo original theft protection (LH vent window)	1966	each	11.41
116	<b>RS</b>	This Volvo equipped with theft protection (SW.text)		each	11.41
118	<b>RS</b>	Volvo rally "European champion 1963-64"		each	11.41
119	<b>RS</b>	Blue Volvo w.checked flag, 544 export		each	11.41
120	<b>RS</b>	Volvo rally "European champion 1963-64"(Sw.text)		each	11.41
121	<b>RS</b>	Heater regulator decal, Sw. Text		each	14.58
122	<b>RS</b>	Heater regulator decal, English. Text		each	14.58
125	<b>RS</b>	Reflex "Volvo" door edge		each	8.56
126	<b>RS</b>	"Volvo" emblem decal red/silver		each	11.41
127	<b>RS</b>	Fill up cooling system, expansion tank	67-70	each	11.41
128	<b>RS</b>	Volvo frost liquid filled B4B, B16, B18		each	11.41
129	<b>RS</b>	"Tudor safety Sweden" Battery decal		each	11.41
130	<b>RS</b>	Brrrrr... Volvo air conditioning decal		each	11.41
131	<b>RS</b>	Endast Volvo har 5-årig PV-garanti (Sw.text)		each	11.41
132	<b>RS</b>	B20 valve cover decal, check belt tension		each	11.41
135	<b>RS</b>	Cooling system instruction, blue/white text		each	11.41
140	<b>RS</b>	Trico washer reservoir decal		each	11.41
142/145	<b>RS</b>	Racedecal checkered flag "Volvo" Red or blue		each	11.41
144	<b>RS</b>	Alternator decal		each	11.41
149	<b>RS</b>	"Amazon - den skiljer er ..." (Sw.text)		each	15.85
150	<b>RS</b>	"En ny Volvo med PV-garanti" (Sw.text)		each	23.46
151	<b>RS</b>	"A product of superb Swedish engineering"		each	23.46
154	<b>RS</b>	This car equipped with alternator, red/white		each	15.85
155	<b>RS</b>	"H" Right hand traffic decal		each	11.41
157	<b>RS</b>	"Volvogirl" Bella,		each	11.41
158	<b>RS</b>	Differential gear, antispinn		each	11.41
159	<b>RS</b>	6V relay decal		each	11.41
164	<b>RS</b>	Running in recommendation		each	11.41
166	<b>RS</b>	Champion spark plugs		each	11.41
168	<b>RS</b>	Volvo safety belt decal		each	11.41
172	<b>RS</b>	"Jag går hellre än kör japanskt" (Sw.text)		each	11.41
173	<b>RS</b>	Decal charging relay 12 Volt		each	6.34
175	<b>RS</b>	Volvo high mileage club		each	11.41
177	<b>RS</b>	"Do not open - see instructionbook" radiator		each	11.41
179	<b>RS</b>	Bosch 12 volt ignition coil B18, white		each	6.34
180	<b>RS</b>	B14/B16 charging relay 6 Volt (larger style)		each	7.92
181	<b>RS</b>	B14/B16 charging relay 6 Volt (smaller style)		each	6.34
186/187	<b>RS</b>	B18B/D air cleaner decal (672280/672281)	67-70	each	7.92
<b>182</b>	<b>RS</b>	Decal kit B16B (57-61) # 107, 2x109, 128, 181	<b>57-61</b>	<b>sats</b>	30.11
<b>183</b>	<b>RS</b>	Decal kit B16A (57-61) # 105, 107, 128, 180	<b>57-61</b>	<b>sats</b>	24.41
<b>184</b>	<b>RS</b>	Decal kit B18B/D # 106, 108, 2x110, 173	<b>62-66</b>	<b>sats</b>	27.89
<b>185</b>	<b>RS</b>	Decal kit B18B/D # 106, 186/187, 173, 179	<b>67-70</b>	<b>sats</b>	27.89
<b>667698</b>	<b>RS</b>	<b>Instruction sheet</b>	<b>6V/12V</b>	<b>each</b>	7.92
		<b>Postcard different volvo motives</b>		<b>each</b>	1.58